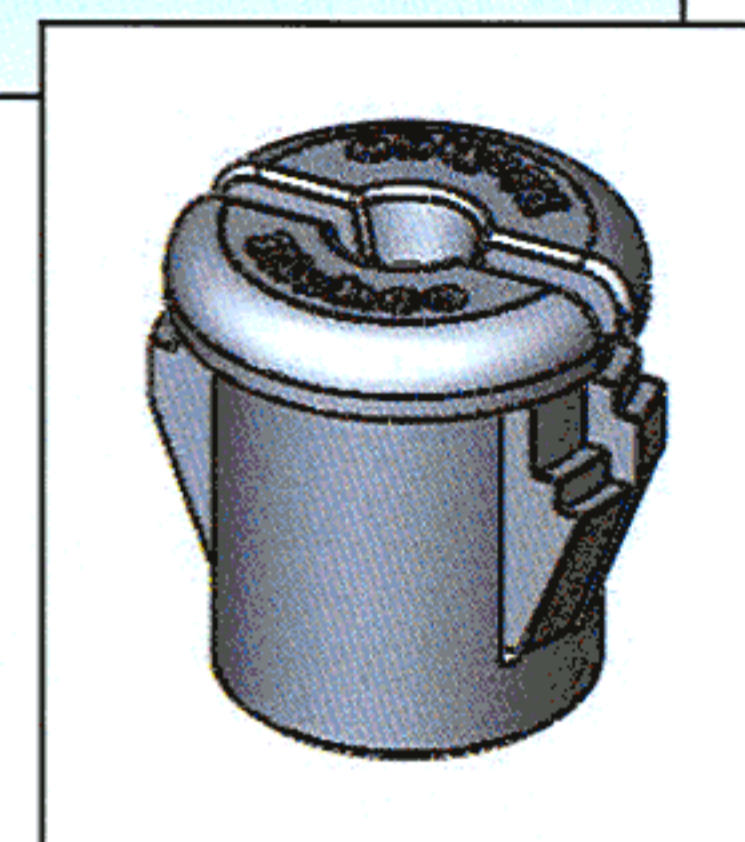
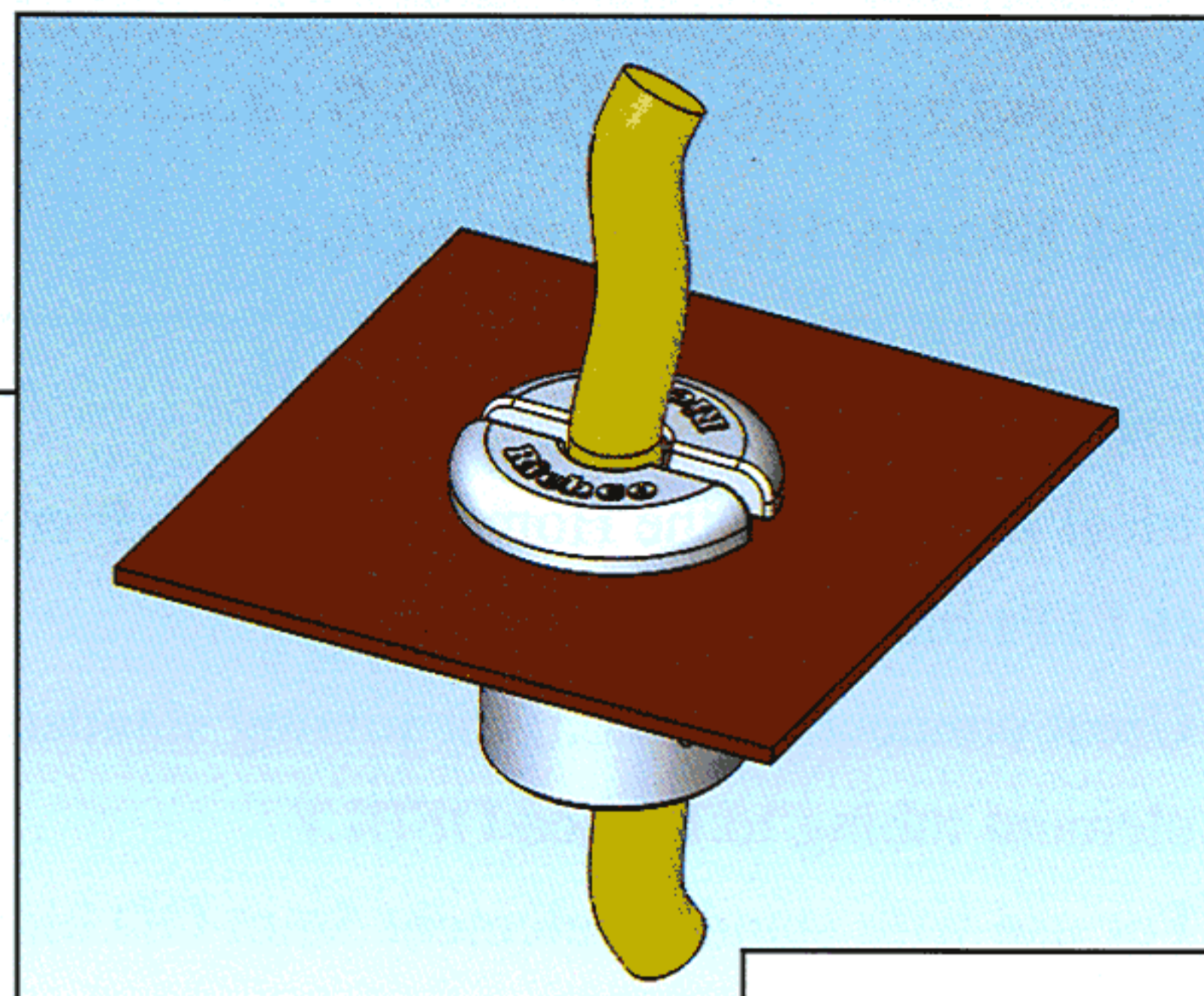


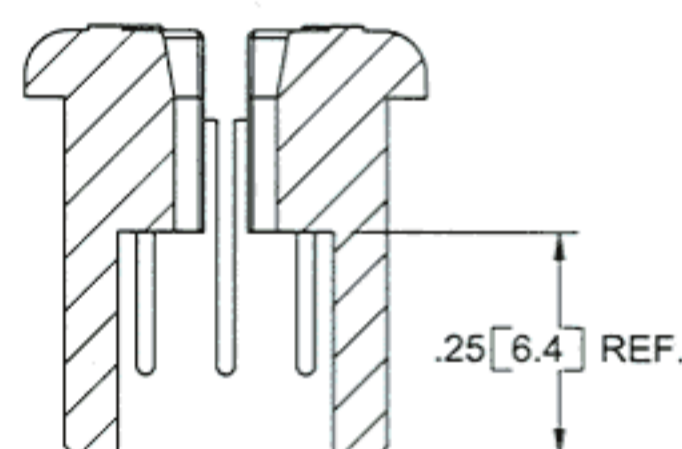
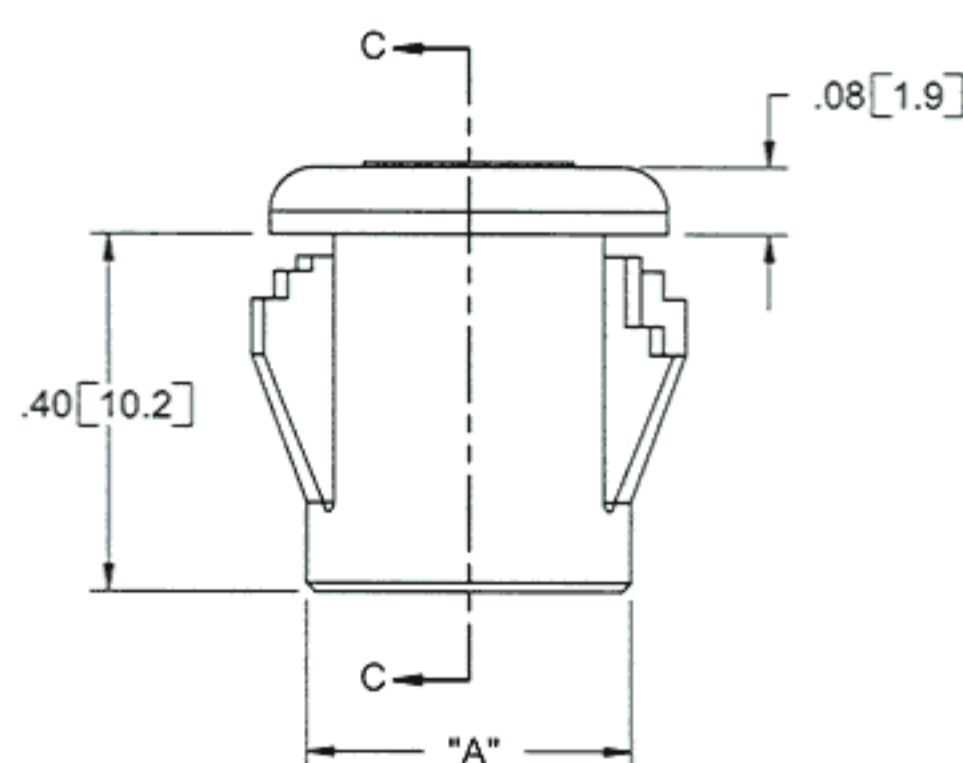
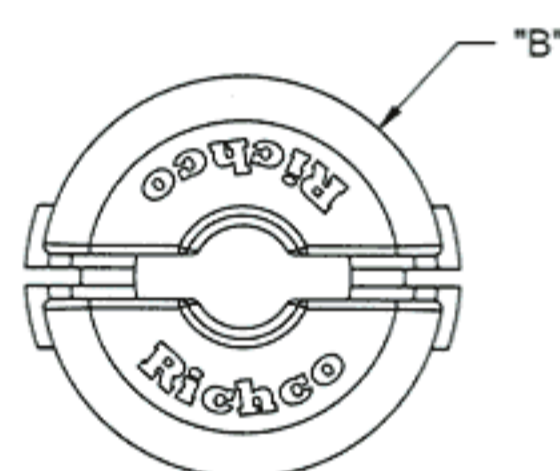
Introducing the **SB**— Snub Bushing

Features and Benefits

- Protects cable bundles from rough panel edges
- Provides insulation and wire retention
- Locks into a variety of panel thicknesses: 1/32", 1/16", 3/32", 1/8"
- Three sizes of cable holding diameters are available: .15", .22", .28"
- Molded in a durable Nylon 6/6 material
- Easy installation by hand



Featured
in the **NEW**
Edition 27 Catalog—
Available Now

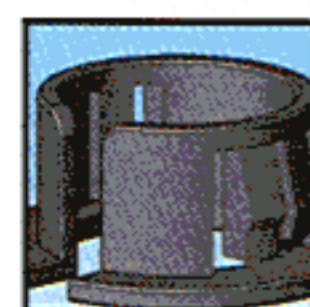


Markets

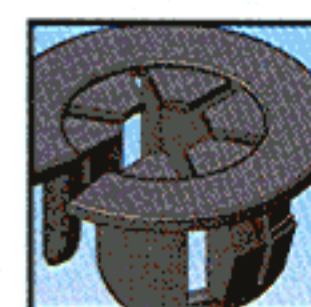
- Telecommunications Equipment
- General electronics
- Datacom
- White Goods

SB		Standard Pack: 1,000 per bag			
Mat'l: Nylon 6/6, RMS-01 Color: Black	Ø "A"	Ø "B"	Panel Hole Dia. ± .003 (0.08)	Nom. Panel Thickness	Approx. Cable Holding Dia.
SB-1	.36 (9.1)	.45 (11.4)	3/8 (9.5)	1/32, 1/16, 3/32, 1/8 (0.8, 1.6, 2.4, 3.2)	.15 (3.8)
SB-2	.43 (10.9)	.55 (14.0)	7/16 (11.1)		.22 (5.6)
SB-3	.49 (12.4)	.63 (16.0)	1/2 (12.7)		.28 (7.1)

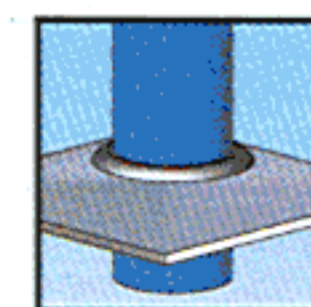
Other Related Richco Product Solutions



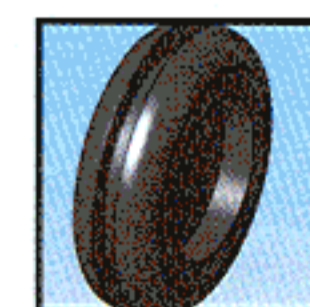
PGSB-A



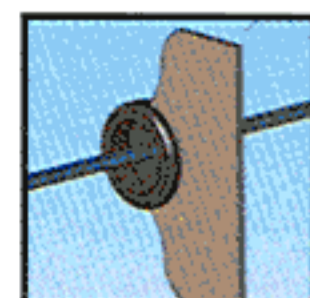
PGSC



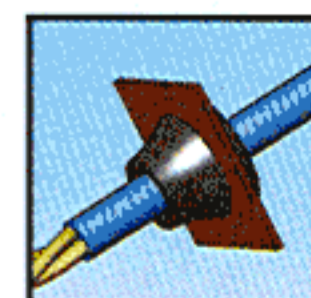
HG



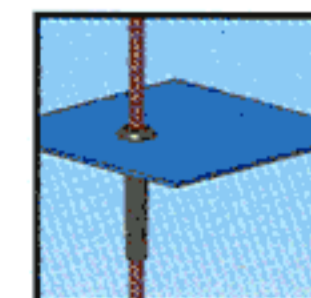
DG



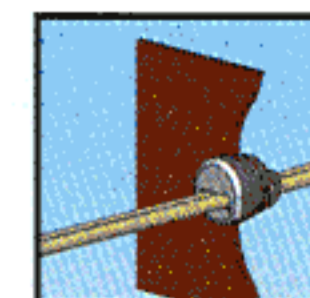
DGB



LTG



RGS



SRB