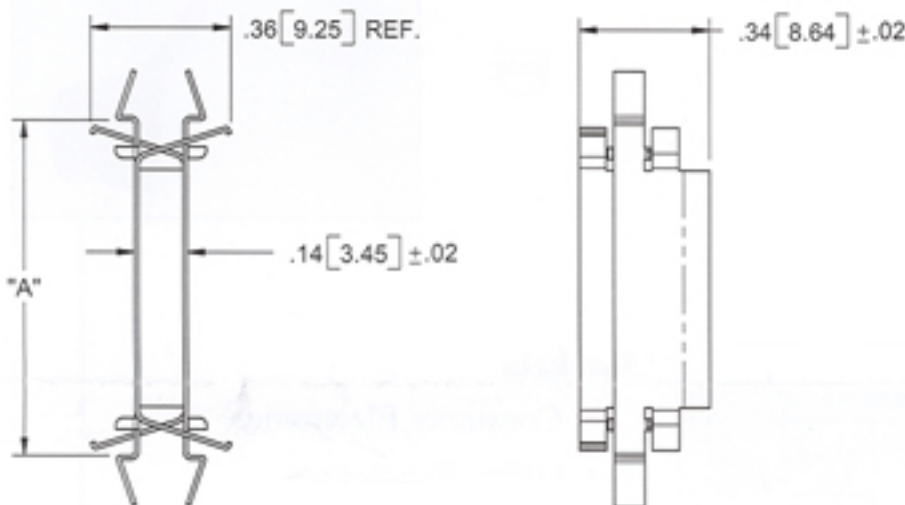


Introducing the *MDLCBS*— Metal Dual Locking Circuit Board Support

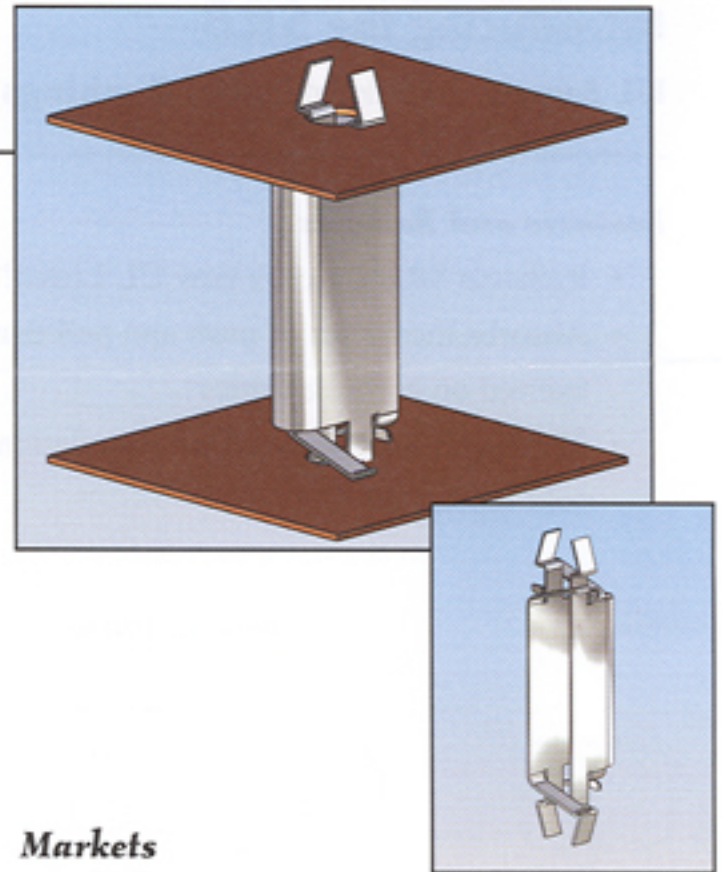
Features and Benefits

- Highly conductive and impact resistant
- Innovative removable design
- High temperature and corrosion resistant stainless steel
- Metal lends superior strength and durability
- RoHS Compliant
- Patented design



TO SNAP-LOCK IN A .156±.003 [4±0.08] DIA. HOLE,
IN A .062 [1.57] PANEL THICKNESS

Material: Stainless Steel, RMS-320	Standard Pack: 1,000 per bag
Part No.	"A" ±.015 (.04)
MDLCBS-4	3/8 (9.5)
MDLCBS-6	1/2 (12.7)
MDLCBS-8	5/8 (15.9)
MDLCBS-12	7/8 (22.2)
MDLCBS-16	1-1/8 (28.6)



Markets

- Automotive
- Consumer Electronics
- Security Systems
- Office Equipment
- White Goods
- Telecommunications Equipment

Other Related Richco Product Solutions

