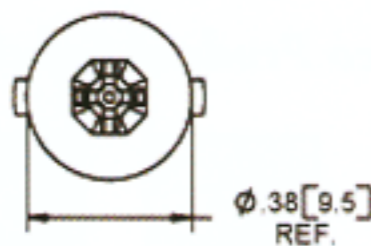
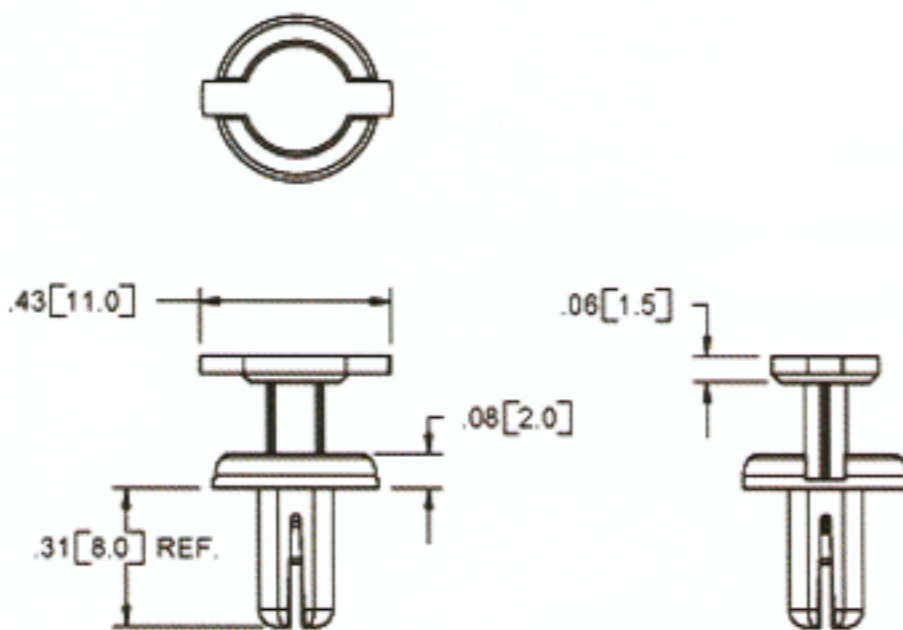
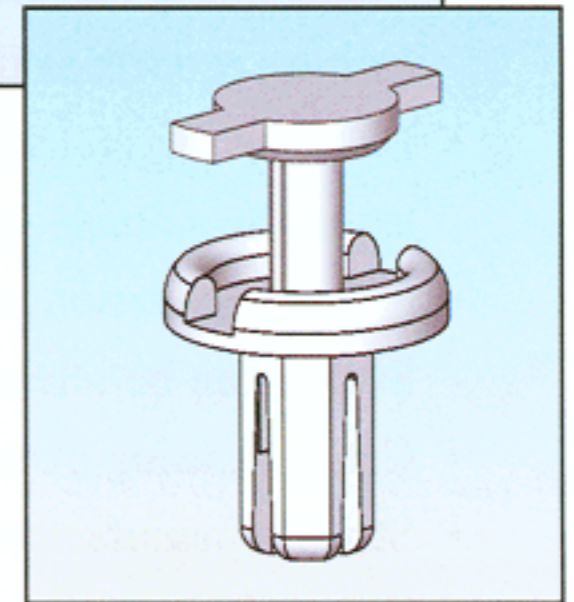
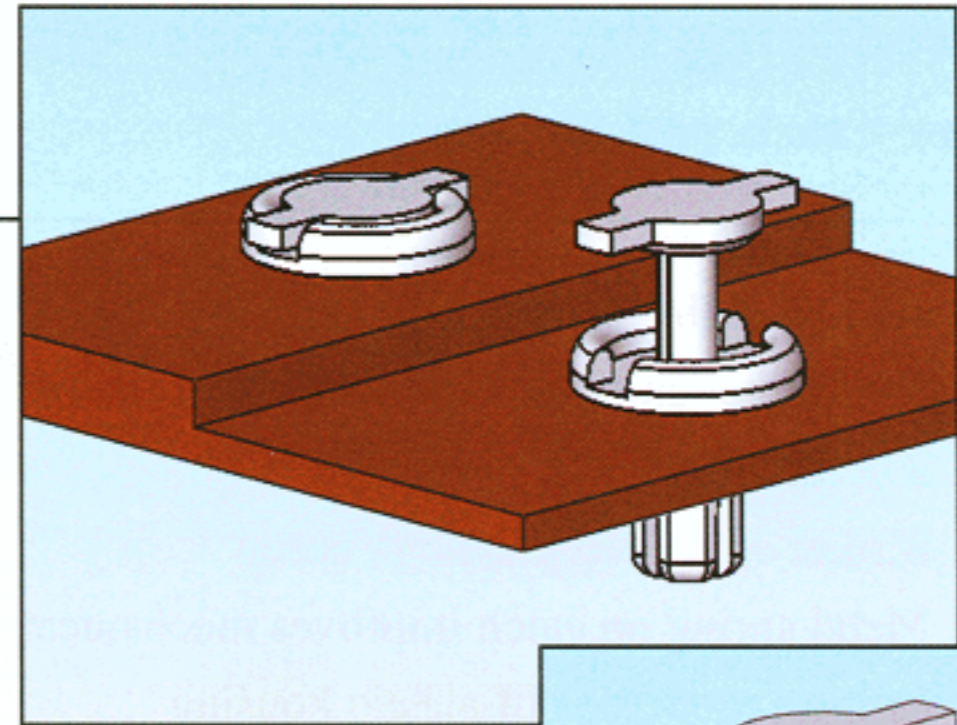


Introducing the *RRR Series*— Releasable Snap Rivet

Features and Benefits

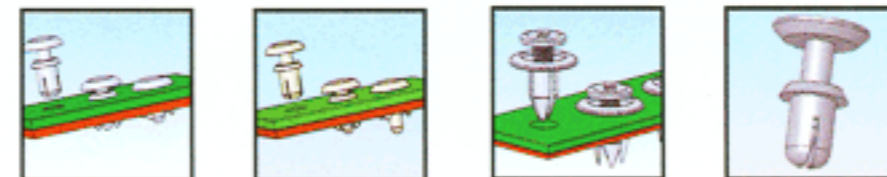
- Ideal for applications where future release of components is necessary
- Easy application by hand
- Rivet's legs expand onto the chassis to lock the components in place
- Unique design allows removal of the pin by pulling on the side tabs
- Rivets come in two sizes to accommodate a range of panel thicknesses
- Ability to use in round or square holes
- Molded in a durable Nylon 66/6 material in black color
- RoHS Compliant



Markets

- Consumer Electronics
- White Goods
- Automotive
- Point of Purchase (POP)

Other Related Richco Product Solutions

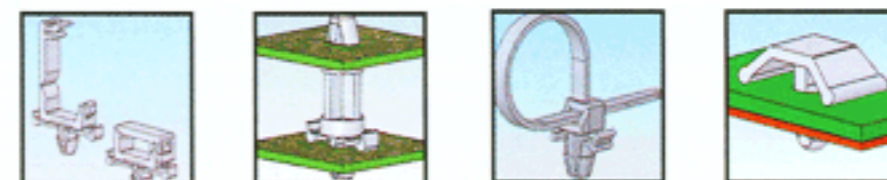


SR

SRHR

USR

SRH



WSLTRA

DLCBSRA

WIT-30XAR

MB

Material: Nylon 66/6, RMS-103 • Color: Black		
Standard Pack: 1,000 per bag		
	Hole Dia. Range	Panel Thickness
RRR-1	.187 - .209 (4.75 - 5.30)	.059 - .138 (1.5 - 3.5)
RRR-2	or .177 (4.5) min. square hole	.138 - .217 (3.5 - 5.5)