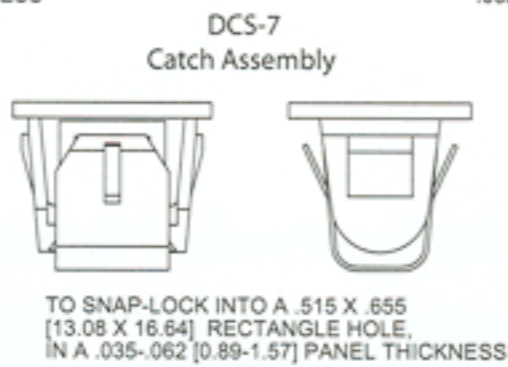
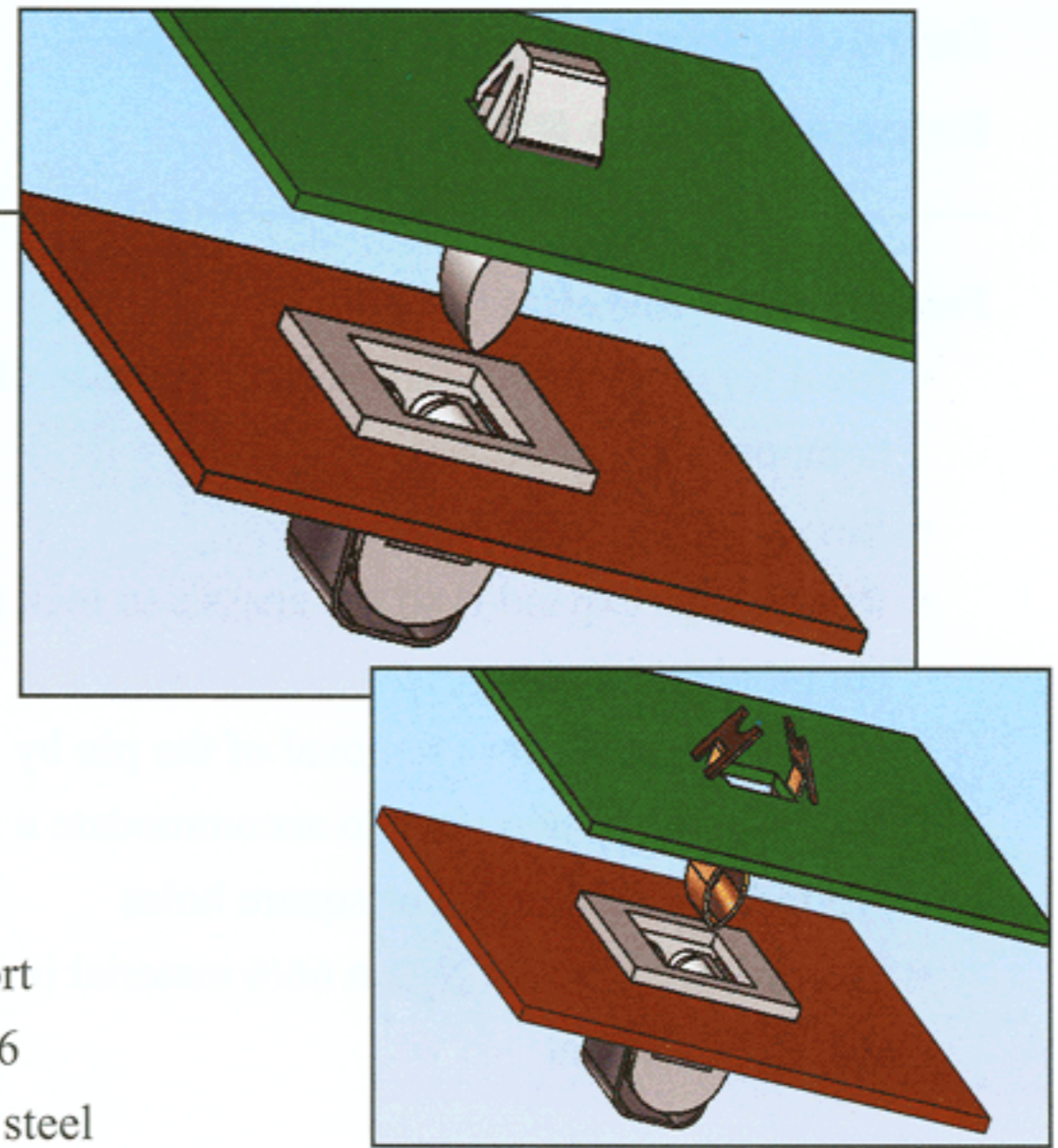


## Introducing the *DCS Series*— Door Catch and Striker

### Features and Benefits

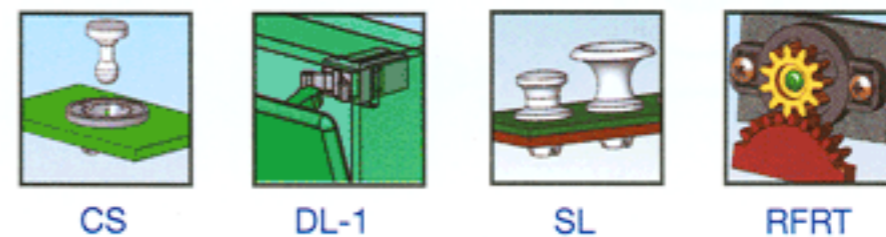
- The striker engages with the catch to ensure a secure lock
- Striker offered in plastic or metal
- Metal spring on catch improves mechanical locking properties of plastic housing
- Metal spring on catch and metal striker make the assembly suitable for harsh/outdoor applications
- Quick installation via easy push fit
- Striker can be released with relatively little pull effort
- Catch Housing manufactured with durable Nylon 6/6
- Strikers manufactured from durable acetal or plated steel
- Parts sold separately
- RoHS Compliant



### Markets

- Home Appliances - Washing Machines/  
Tumble dryers
- Heating & Ventilation -  
Boiler Control Panels
- Furniture
- Office Equipment

### Other Related Richco Product Solutions



Part No.	Description	Hole Size	Panel Thickness	Mating Part	Material	Color
DCS-1	Plastic Striker	.287 (7.29) Square	.032-.052 (0.81-1.32)	DCS-7	POM UL 94 HB, RMS-14	Natural
DCS-4	Metal Striker	.287 (7.29) Square	.032-.052 (0.81-1.32)	DCS-7	Steel	Dichromate Plated Finish
DCS-7	Catch Assembly	.515 X .655 (13.08 X 16.64) Rectangular	.035-.062 (0.89-1.57)	DCS-1 or DCS-4	Catch: Nylon 6/6 UL94 V2, RMS-01 Clip: Steel, RMS-212	Catch: Natural. Clip: Black Oxide Finish, RMS-216