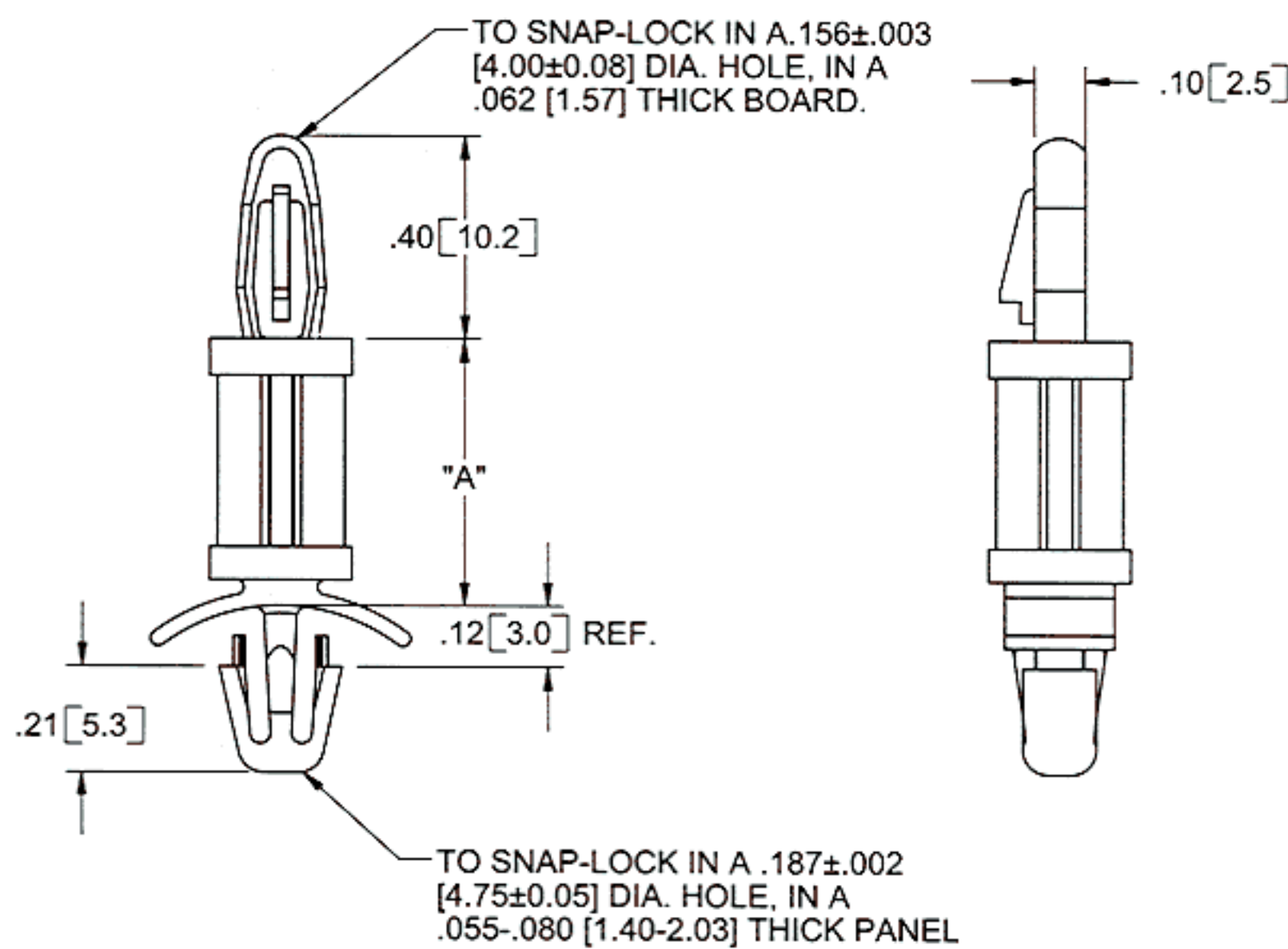
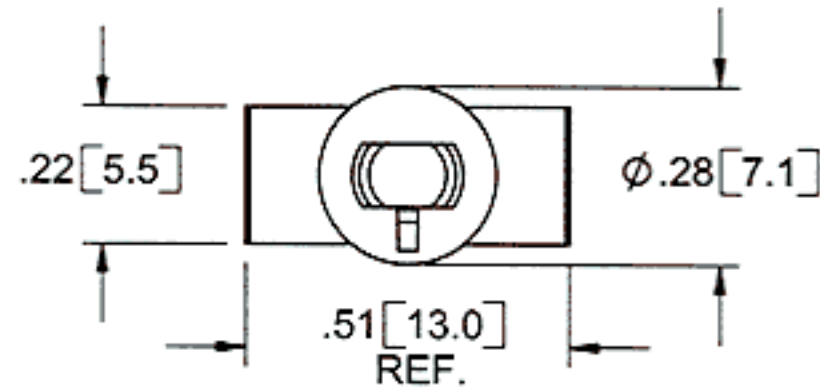


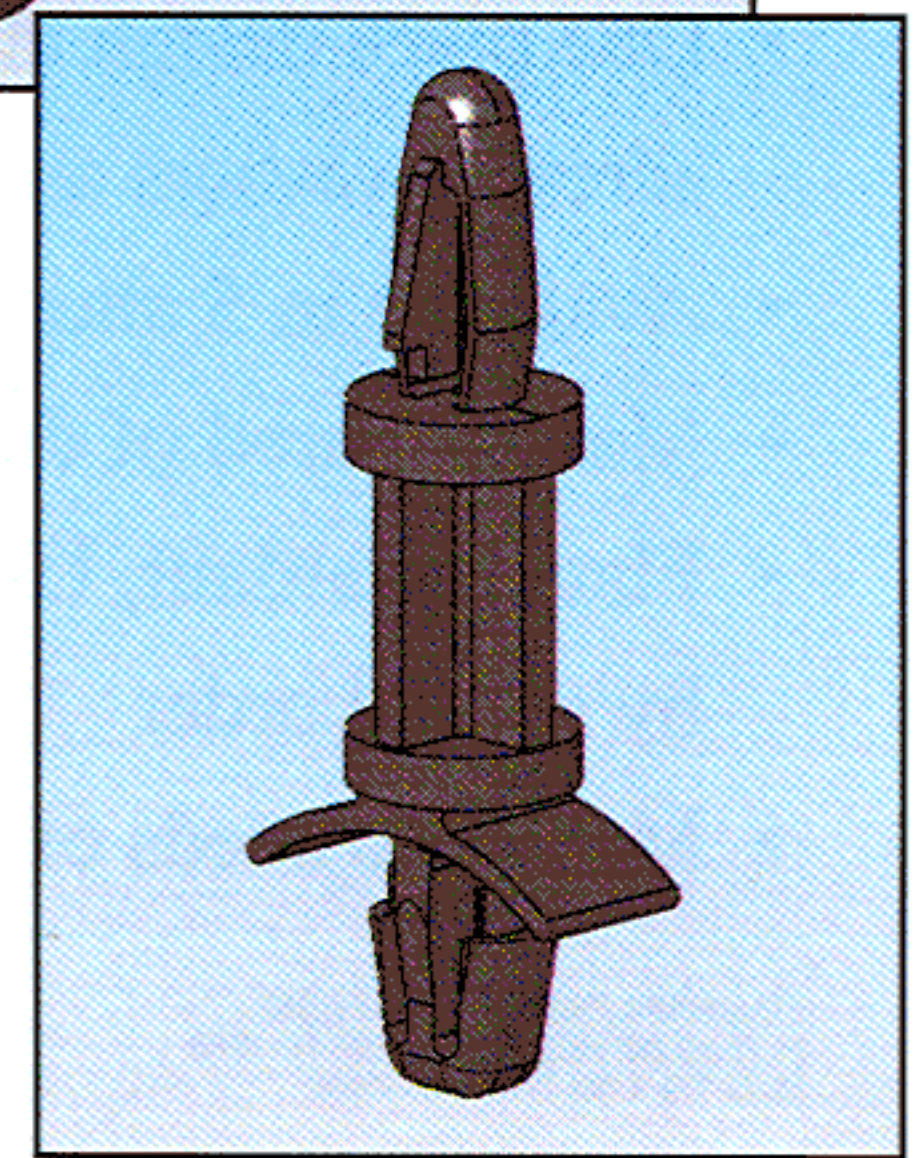
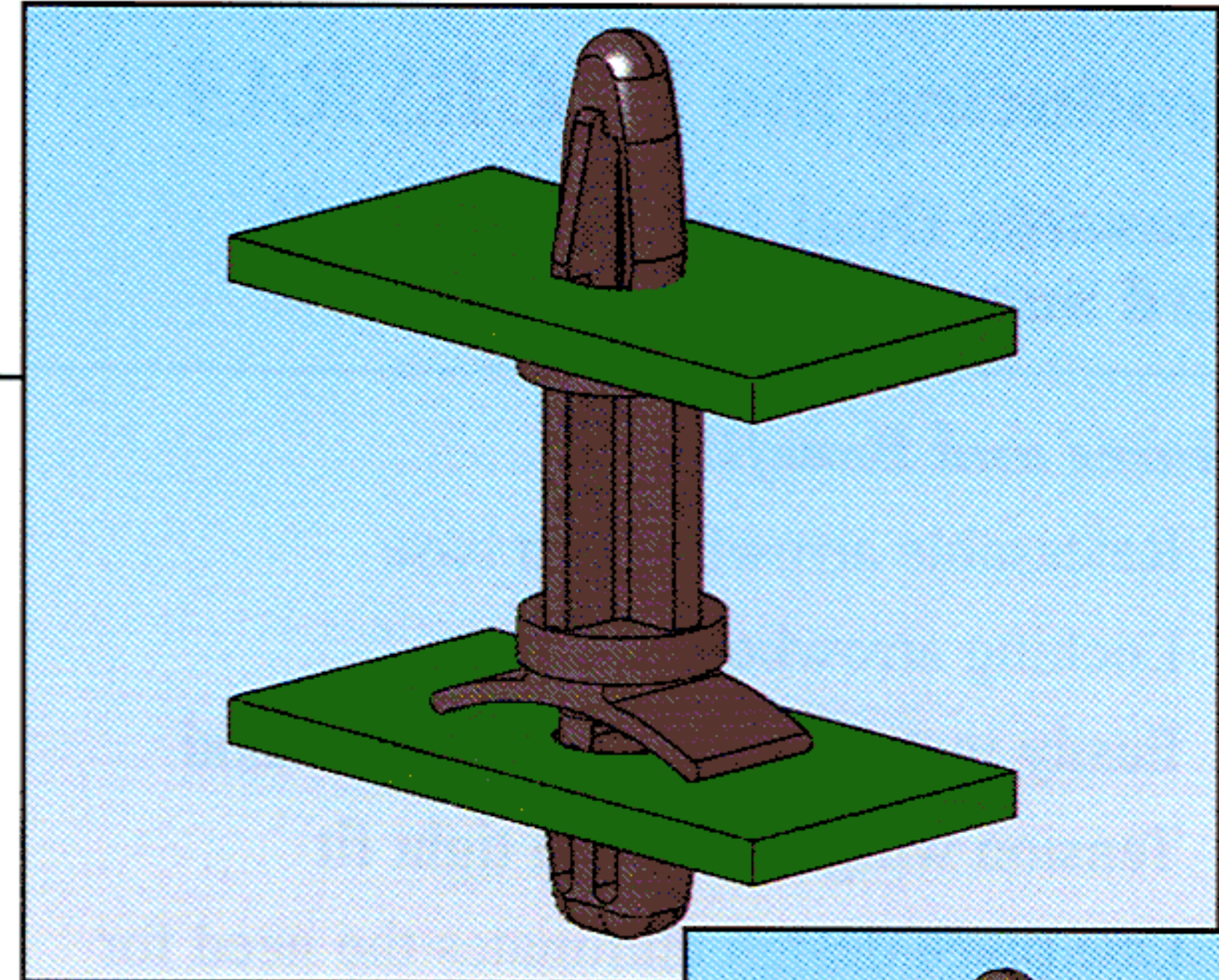
Introducing the *LCBS-HT*— High Temperature Locking Circuit Board Support

Features and Benefits

- Parts operate in applications up to 392°F (200°C)
- Spaces P.C.B. off of a base or chassis in high temperature environments
- Unique locking device provides a mechanically secure connection
- One piece design eliminates the need for screws, nuts and washers
- Tension wings provide extra hold onto the chassis



LCBS-HT	Standard Pack: 1,000 per bag
Mat'l: PPHOX, RMS-162 Color: Black	Standoff Height "A" ± .014 (0.4)
LCBS-3-HT	3/16 (4.8)
LCBS-4-HT	1/4 (6.4)
LCBS-5-HT	5/16 (7.9)
LCBS-6-HT	3/8 (9.5)
LCBS-7-HT	7/16 (11.1)
LCBS-8-HT	1/2 (12.7)
LCBS-10-HT	5/8 (15.9)
LCBS-12-HT	3/4 (19.1)
LCBS-14-HT	7/8 (22.2)
LCBS-16-HT	1 (25.4)
LCBS-18-HT	1-1/8 (28.6)
LCBS-20-HT	1-1/4 (31.7)
LCBS-22-HT	1-3/8 (34.9)

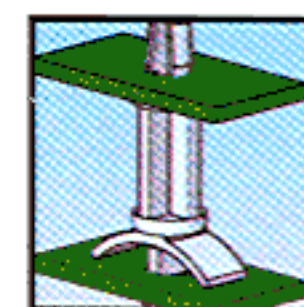


Featured
in the NEW
Edition 27 Catalog—
Available Now

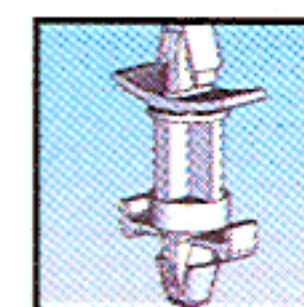
Markets

- Automotive— GPS, CD and Radio Equipment
- Consumer Electronics— Audio and Video Equipment
- Security Systems— CCTV, X-Ray, Alarms and Scanning Equipment
- Office Equipment— Computers, Computer Peripherals and Photocopiers
- White Goods— Microwaves, Washing Machines, Ovens
- Telecom— Transponder/Receiver Cards, Signal Amplifier Modules

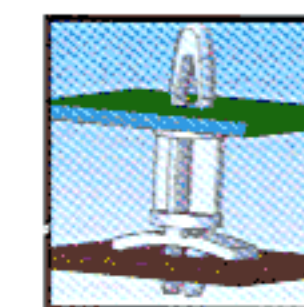
Other Related Richco Product Solutions



LCBS



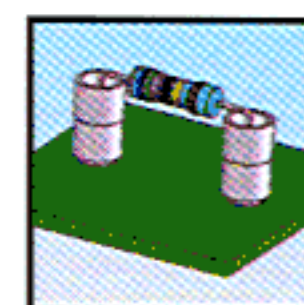
DLCBS



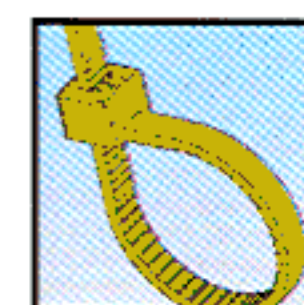
CBS



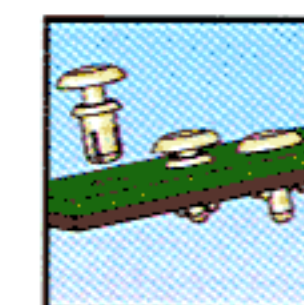
BHC



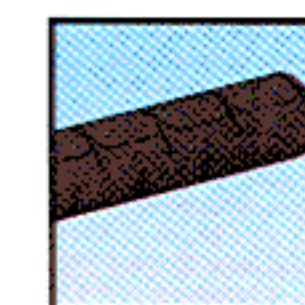
CER



WIT-HT



SRHR



SHR-HT