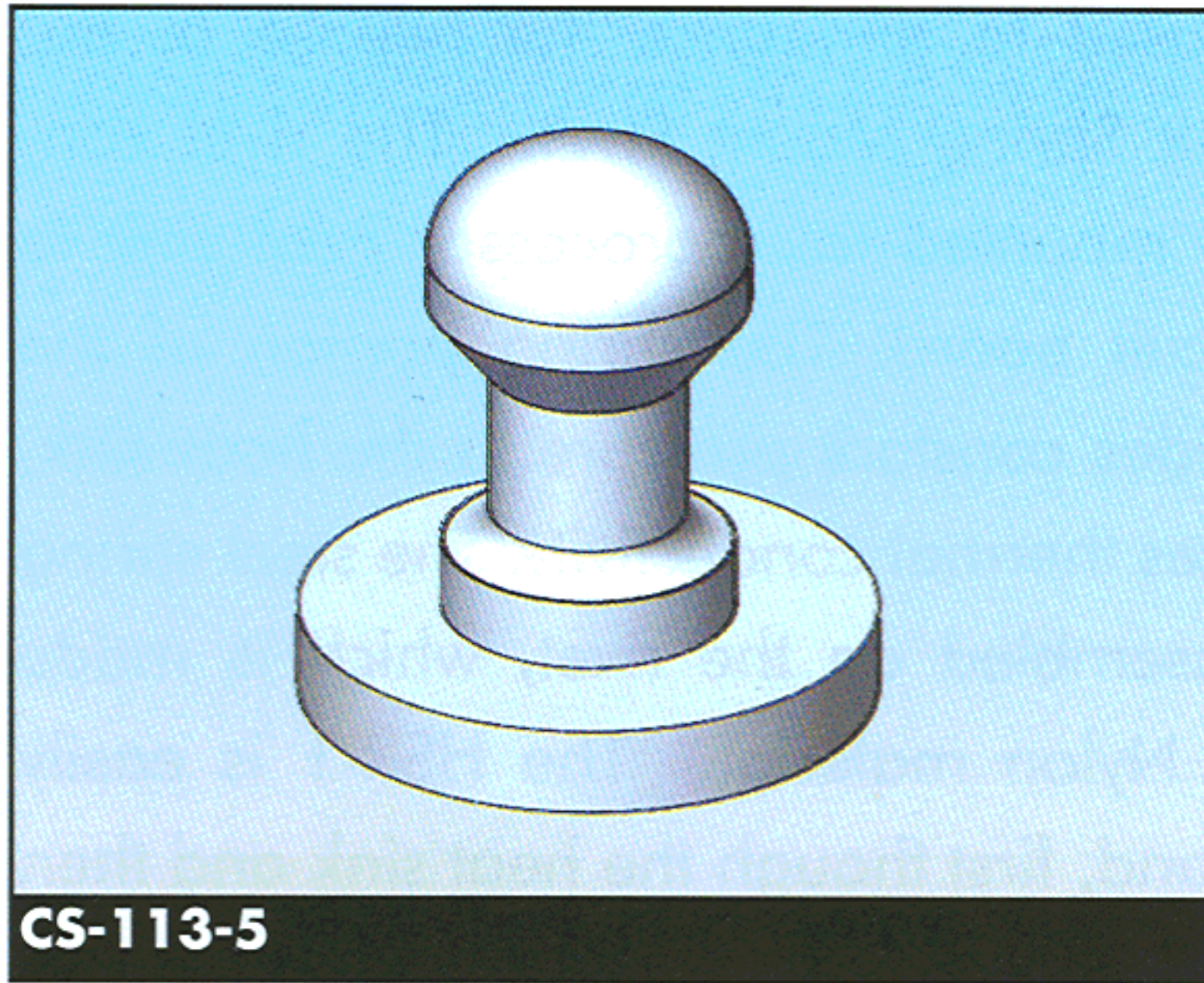
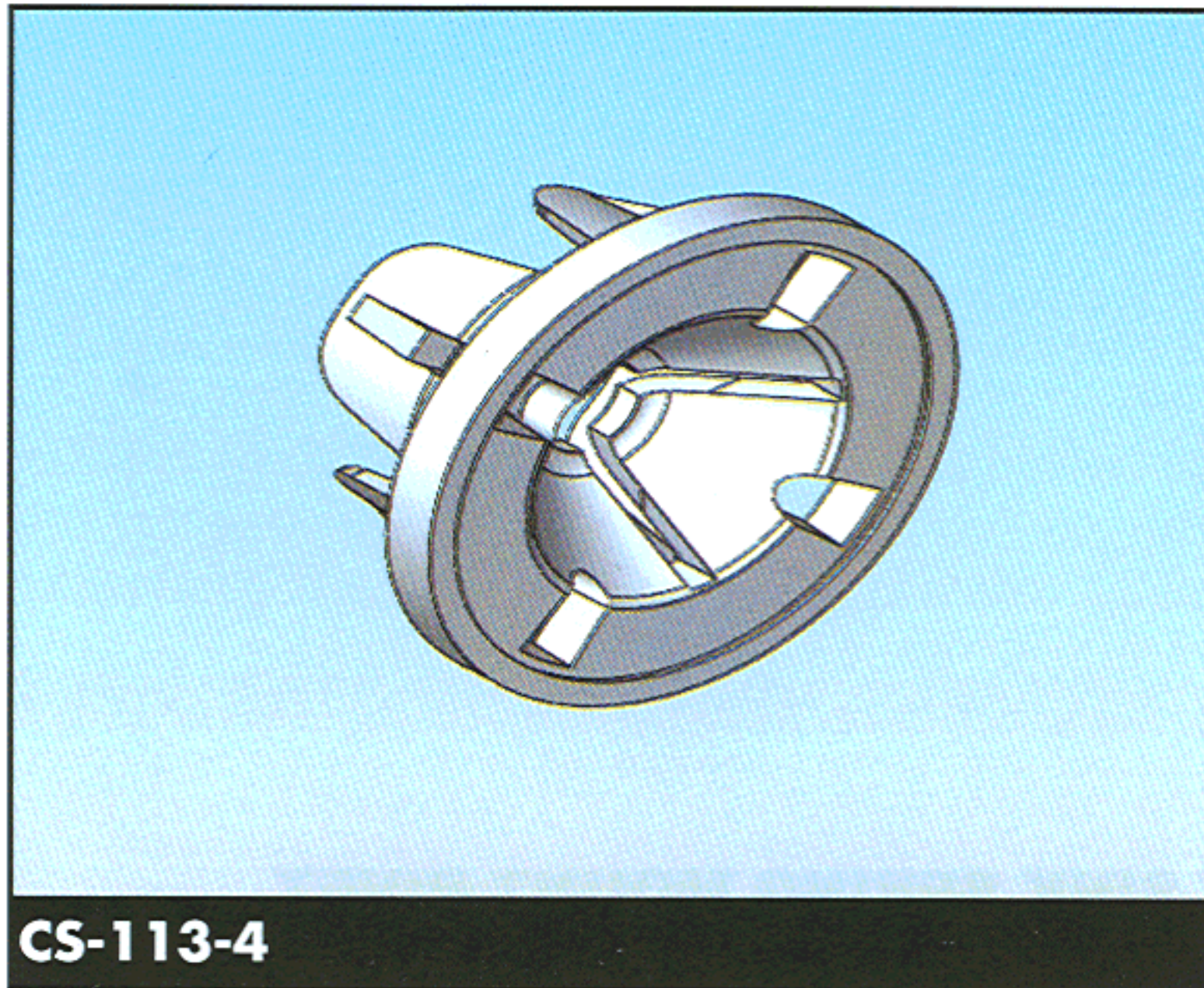


CS-113-4 & CS-113-5



CS-113-5



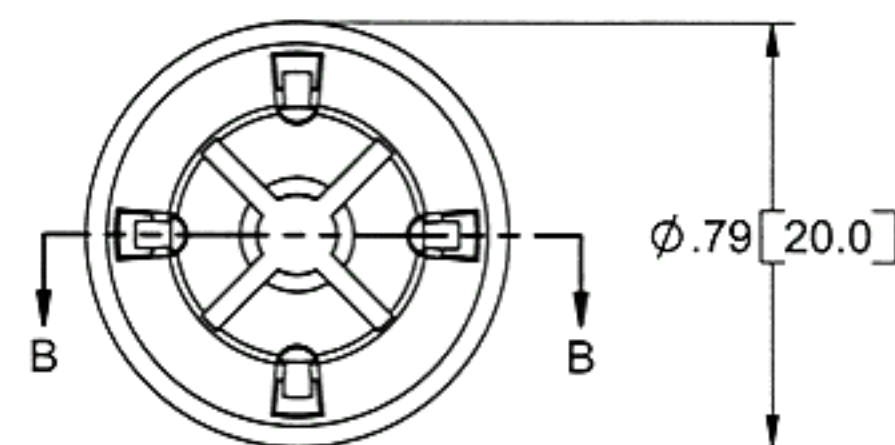
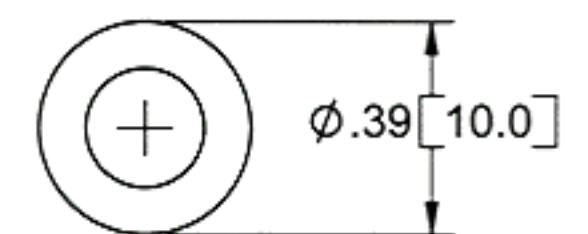
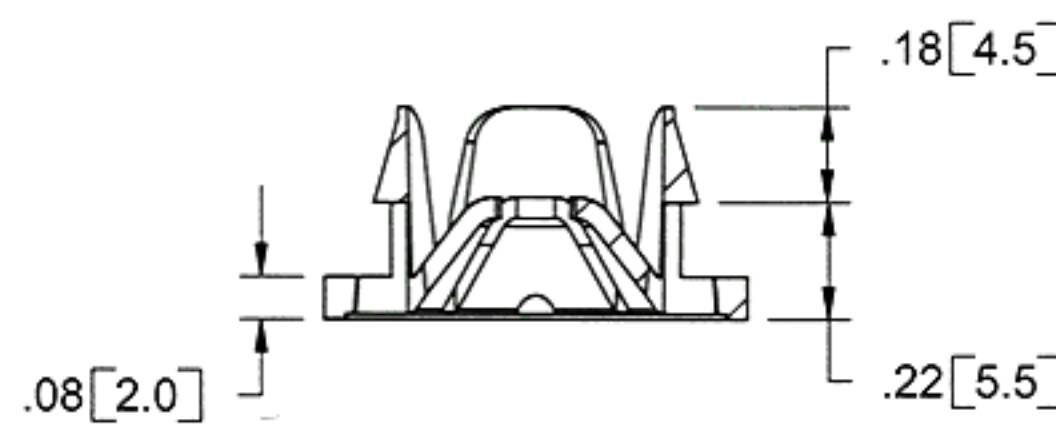
CS-113-4

Richco is pleased to announce two new additions to our Catch & Striker Series. The CS-113-4 catch is designed for mounting into a panel. It is manufactured in a durable Nylon 6 material in natural color, and is easily installed into the panel by hand. The CS-113-5 striker is mounted with the striker base (CS-113-3) and fastened onto a board. The striker engages with the catch securely and its high retention feature resists unwanted accidental release due to vibration or shock. The striker is manufactured in a tough Nylon 6/6 material and is black.

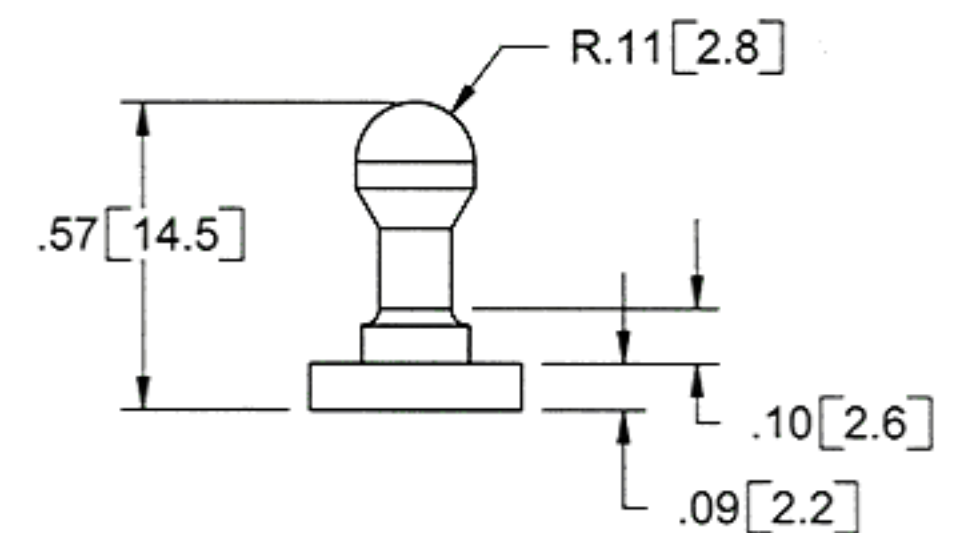
Features:

- Catch designed for mounting to a panel
- Striker gives high retention to the catch
- Both parts are manufactured in durable Nylon

CATCH AND STRIKER SERIES CS-113-4 & CS-113-5



P/N: CS-113-4 CATCH



P/N: CS-113-5 STRIKER