

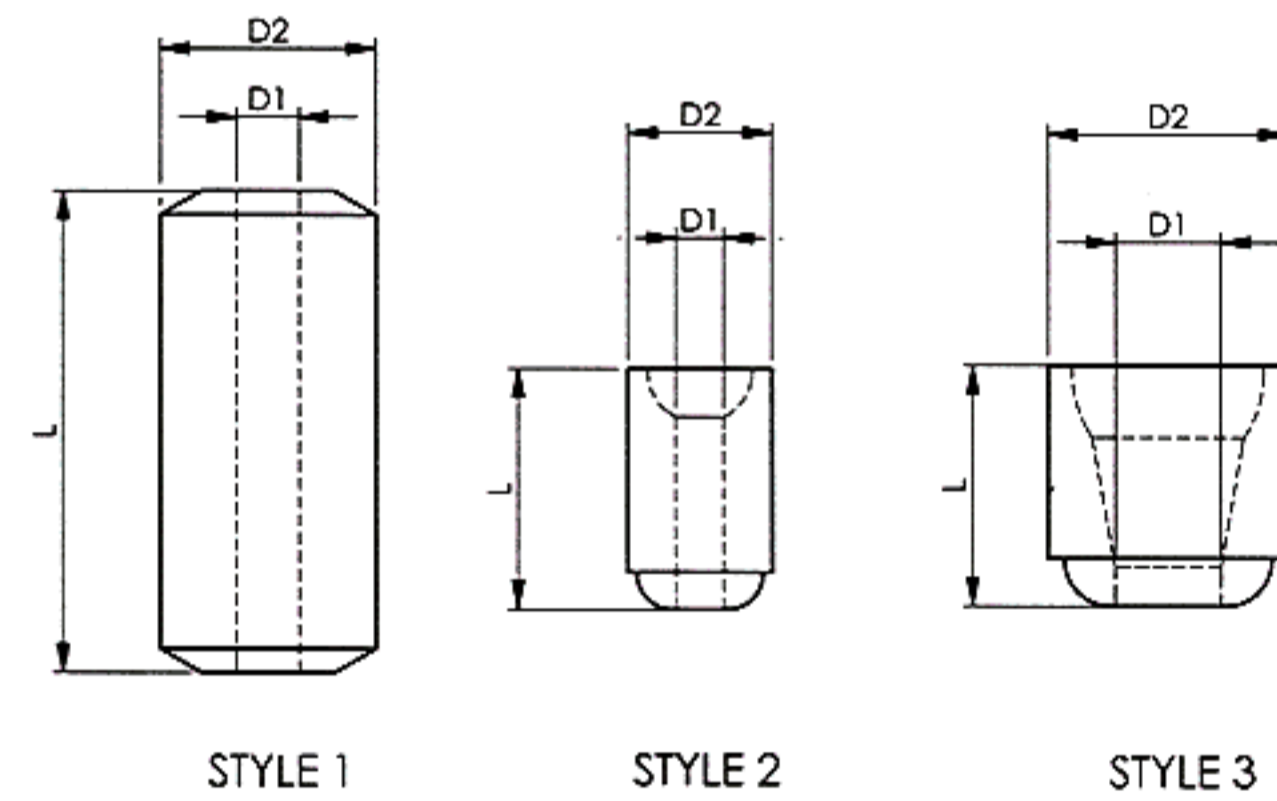
CER

Richco Inc. is pleased to announce our newest insulating stand-offs, the CER Series Ceramic Beads. Ceramic beads provide excellent insulation and are ideal for wave soldering applications. The three styles of beads are stackable in many different height combinations to accommodate your application. The parts are manufactured from durable Steatite C220 Ceramic material, which is serviceable to 1832°F (1000°C), and are RoHS Compliant.

Features:

- RoHS Compliant
- Provides excellent insulation
- Stackable
- Suitable for high temperature applications

CERAMIC BEADS CER



PART NUMBER	D1	D2	L	STYLE
CER-1	2.0 (0.079)	4.0 (0.158)	6.0 (0.237)	1
CER-2	1.3 (0.052)	4.5 (0.178)	8.0 (0.315)	1
CER-3	1.3 (0.052)	4.5 (0.178)	10.0 (0.394)	1
CER-4	1.0 (0.040)	3.0 (0.119)	3.0 (0.119)	2
CER-5	1.8 (0.071)	4.5 (0.178)	4.5 (0.178)	2
CER-6	1.0 (0.040)	3.0 (0.119)	5.0 (0.197)	2
CER-7	2.1 (0.083)	5.0 (0.197)	5.0 (0.197)	3