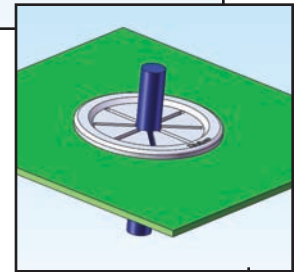
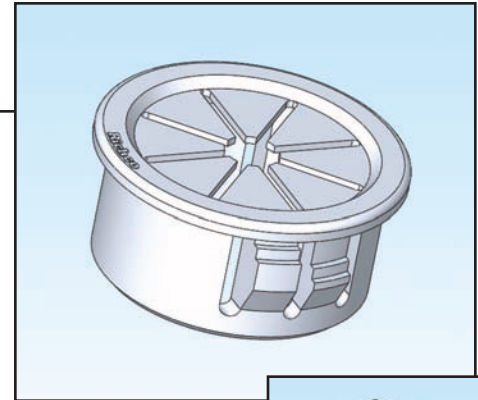
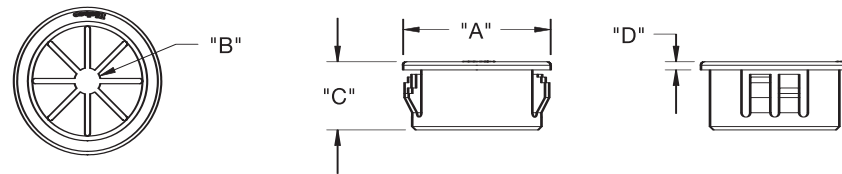


Introducing the *PGSD* Adjustable Bushings

Features and Benefits

- Converts raw or sharp edged holes into insulated holes
- Locates the cable in the center of the hole and provides some light retention force
- Accommodate cables, wires, tubing or any irregular shaped items
- Flexible internal wings absorb shock and vibration
- Easily snapped into hole with fingertip pressure



Material: UL94 V2 Nylon 6/6, RMS-01* Color: Black

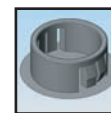
| Part No. | Max. Panel Thickness | Hole Diameter $\pm .002$ (0.05) | Head Diameter "A" $\pm .020$ | To Accommodate Bundle Dia. "B" Ref | Overall Height "C" $\pm .010$ | "D" | Standard Package |
|----------|----------------------|---------------------------------|------------------------------|------------------------------------|-------------------------------|------------|------------------|
| PGSD-1 | .062 (1.57) | .500 (12.7) | .600 (15.2) | .312 (7.9) | .250 (6.4) | .063 (1.6) | 500 |
| PGSD-5 | .125 (3.2) | | | | .385 (9.8) | .041 (1) | |
| PGSD-2 | .062 (1.57) | .625 (15.9) | .729 (18.5) | .437 (11.1) | .250 (6.4) | .063 (1.6) | |
| PGSD-6 | .125 (3.2) | | | | .406 (10.3) | | |
| PGSD-3 | .062 (1.57) | .750 (19.05) | .844 (21.4) | .500 (12.7) | .250 (6.4) | .047 (1.2) | 200 |
| PGSD-7 | .125 (3.2) | | | | .390 (9.9) | | |
| PGSD-4 | .062 (1.57) | .875 (22.2) | .937 (23.8) | .560 (14.2) | .250 (6.4) | .063 (1.6) | |
| PGSD-8 | .125 (3.2) | | | | .453 (11.5) | | |
| PGSD-9 | | 1.00 (25.4) | 1.063 (27) | .750 (19.1) | .059 (1.5) | 100 | |
| PGSD-10 | | 1.375 (34.9) | 1.490 (37.8) | 1.00 (25.4) | | | |
| PGSD-11 | | 1.50 (38.1) | 1.609 (40.9) | 1.062 (27) | .450 (11.43) | | |

*Available in UL94 V0 material by special order. To order, add -V0 to the end of the part number

Markets

- Electrical
- Telecommunications
- White Goods
- Consumer Electronics
- Point of Purchase

Other Related Richco Product Solutions



PGM



HG



PGSB-A



PGSB



Competitor Cross Reference

| Richco Part # | Heyco Part # | Micro Plastics Part # |
|---------------|--------------|-----------------------|
| PGSD-1 | 2858 | |
| PGSD-2 | 2861 | |
| PGSD-3 | 2862 | |
| PGSD-4 | 2863 | |
| PGSD-5 | 2055 | |
| PGSD-6 | 2077 | 22AF0625 |
| PGSD-7 | 2089 | 22AF0750 |
| PGSD-8 | 2119 | 22AF0875 |
| PGSD-9 | 2137 | 22AF1000 |
| PGSD-10 | 2184 | |
| PGSD-11 | 2213 | |