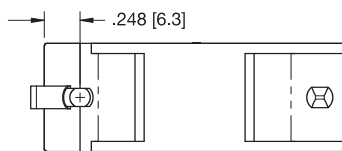
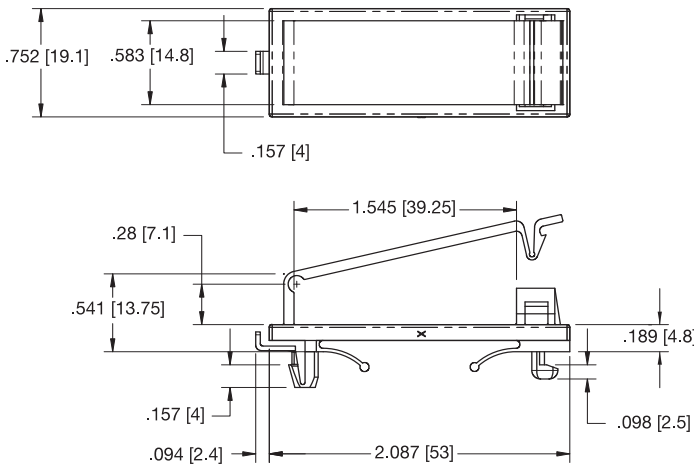
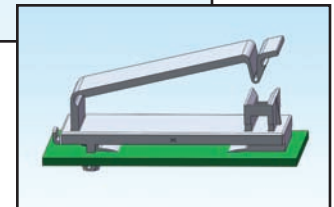
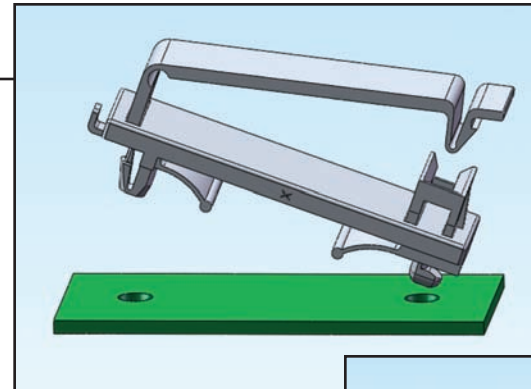


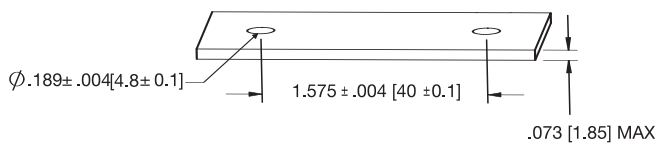
Introducing the **FCSE** Cable Clamp—Slide Entry

Features and Benefits

- Clamp is removable from top side of mounting surface
- Installed by sliding one side of the clamp into a hole and snap locking the other end into a second hole
- Fits into standard .187" (4.75) hole diameters
- Designed to hold up to a 40 conductor cable width of 1.545 (39.25)
- Quick access to wires and cables



MOUNTING HOLE DETAIL



Markets

- Telecommunications
- Appliance
- Medical Equipment
- General Electronics
- Gaming

Other Related Richco Product Solutions



FCCA

FCCS

FCRC



FCW

WSLTRA

RDAFCC

FCSE-1

Mat'l: Nylon 6/6, RMS-01* Color: Natural

*Parts are available in UL94 V0 material by special order only.
To order, add -19 to the end of the part number.