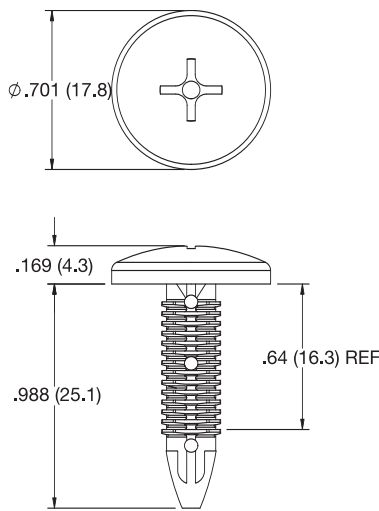
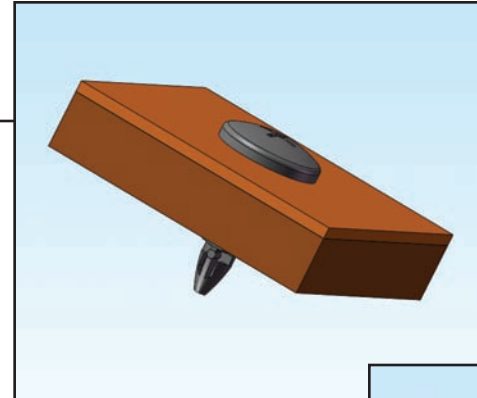


Introducing the **BPFR** Removable Barbed Fasteners

Features and Benefits

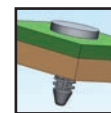
- Can be installed in a 5/16 (M8) threaded hole or a 7mm non-threaded through hole or blind hole
- When installed in threaded hole, part is removable with the use of phillips screwdriver
- As clips are installed the ribs deflect and spring back after they pass through the hole for a secure, non-removable lock
- Fastens a wide range of panel thicknesses



Markets

- Point of Purchase Display
- Automotive
- Aerospace
- Consumer Electronics
- White Goods
- Telecommunications

Other Related Richco Product Solutions



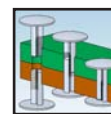
BHF



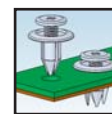
PL



RBF



BR



USR



NSP

Mat'l: UL94 V0 Nylon 6/6, RMS-19 Color: Black		Standard Pack: 1000 per bag	
Part No.	Threaded Hole	Non-Threaded Hole Dia	Minimum Panel Thickness
BPFR-1	5/16 (M8)	.276 (7)	.236 (6)

