

HIGH-RIGIDITY SWIVEL TORQUE HINGE (Unbalanced Load Type)



HG-S50-HR50

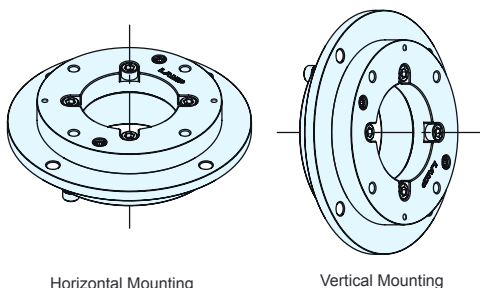


- High rigidity swivel torque hinge supports unbalanced loads in a hanging installation.
- Hinge can be installed vertically or horizontally.
- Can rotate 360° and be held at any angle (free stop).
- Rotation angle can be controlled with a supplied angle control bolt.
- Center hole for easy cable management (2" opening diameter).
- Durability: 30,000 open/close cycles passed (private test).

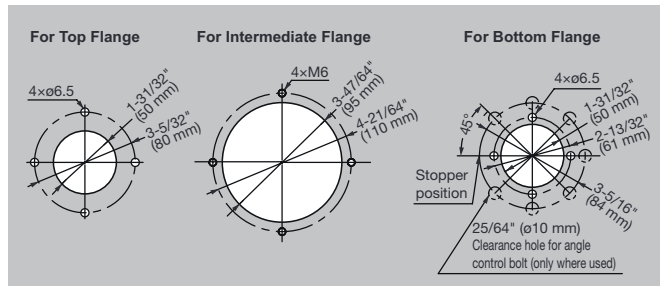


VIDEO LINK

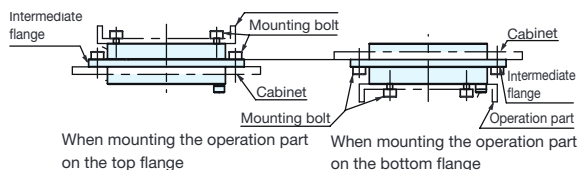
Mounting Direction



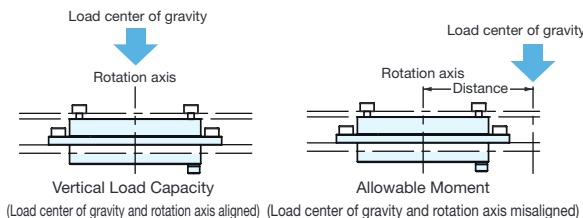
Cut Out Dimensions



Horizontal Installation Example

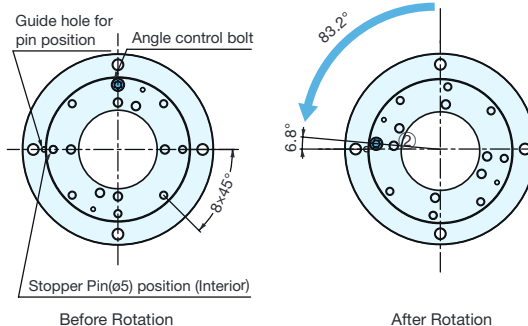


Vertical Load Capacity & Allowable Moment

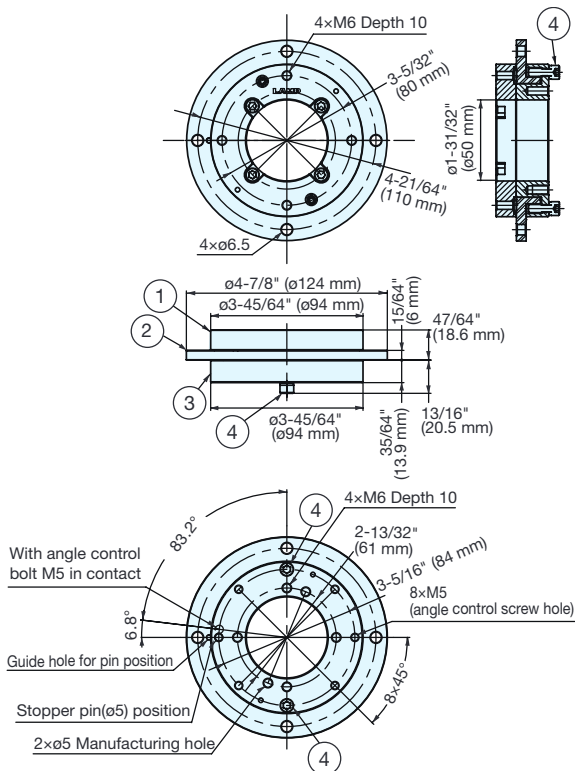


Rotation Angle Control Function

Rotation angle can be controlled by mounting the supplied angle control bolt.



There are 8 angle control screw holes at 45° intervals; the actual rotation angles are 6.8° narrower because the stopper pins are blocked by bolts.



No.	Part Name	Material	Finish
①	Top Flange	Steel	Clear Zinc Chromate
②	Intermediate Flange		
③	Bottom Flange		
④	Spring Washer Embedded Hexagon Socket Head Cap Screw M5x14	-	-

Item No.	Size	Hole Diameter	Torque (kgf·cm)	Vertical Load Capacity (kgf)	Allowable Moment (kgf·cm)	Weight (g)
HG-S50-HR50	4-7/8" (124 mm)	1-31/32" (50 mm)	51.0 ± 20% (44.26 lbs-in)	61.2 (134.9 lbs)	816 (708.3 lbs)	1330