

# GLASS DOOR CAM LOCK

# GS-GL20

HINGES

GLASS SHOWCASE HARDWARE



Chrome (CR)

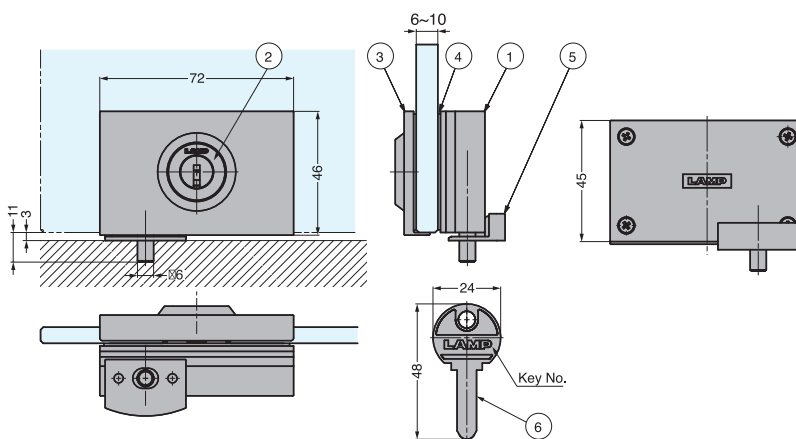
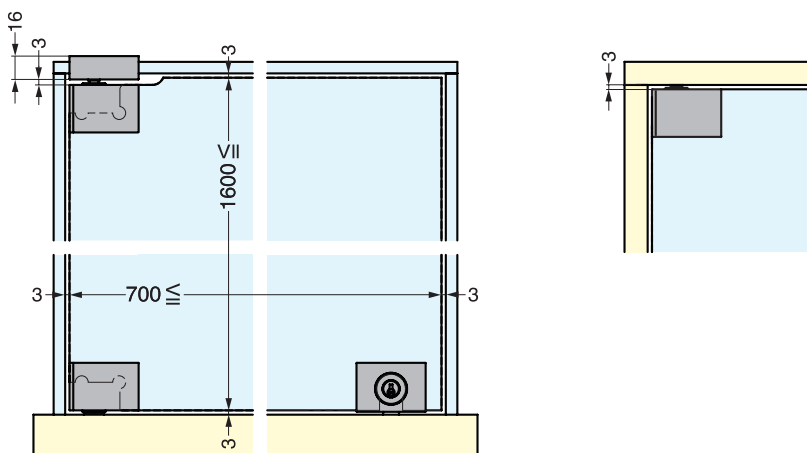


Gold Plated (GP)



Black (BL)

- Cylinder lock for Glass swing door.
- Designed to match aesthetically with the GS-GH20 glass hinge.
- Reversible key. Turn the key 90° to lock and unlock. Key can only be removed when locked.
- Dimple key with up to 1 Million key changes. Master key system available at surcharge (Max. 2,520 key changes/ master key.).
- Keys can be shared with other Million Lock Series.



No.	Part Name	Material	Finish		
			CR	GP	BL
①	Lock	Zinc Alloy	Chrome Plated	24K Gold Plated	Black
②	Cylinder	Brass			
③	Front Plate	Zinc Alloy	Black		
④	Spacer	ABS	Black		
⑤	Back Plate	Zinc Alloy	Chrome Plated	24K Gold Plated	
⑥	Key	Brass	Nickel Plating		
Item Name		Glass Thickness(mm)	Finish		
GS-GL20-CR		1/4~3/8" (6~10)	Chrome		
GS-GL20-GP			Gold Plated		
GS-GL20-BL			Black		