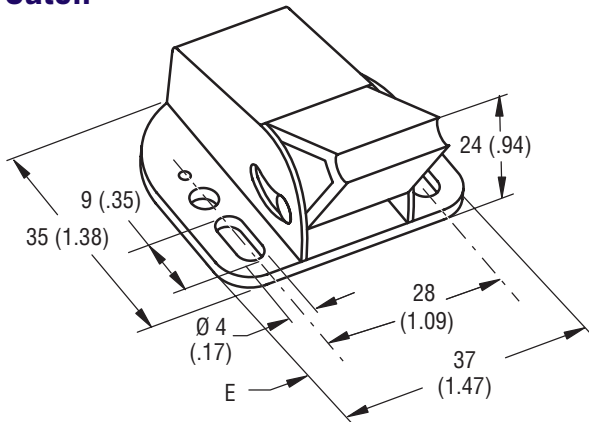


# Southco® Push to Close Latch

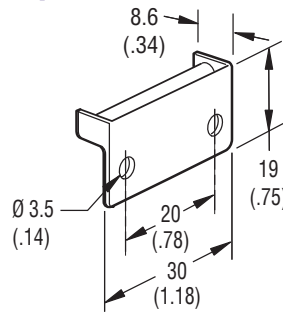
## Snappy

- Over-center latching for vibration resistance
- Self adjusting pawl accommodates misalignment
- All corrosion resistant material

### Catch

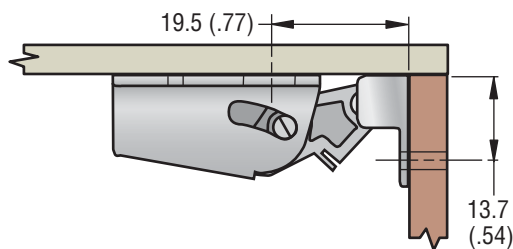


### Keeper



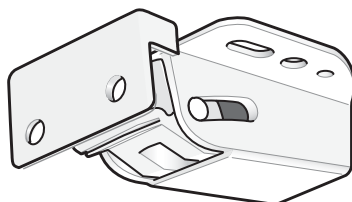
COLOR	PART NUMBER
White	MT-01-10-7

## Panel Preparation

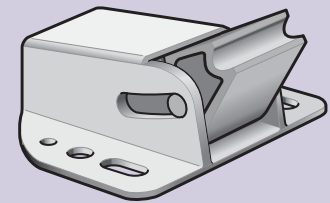
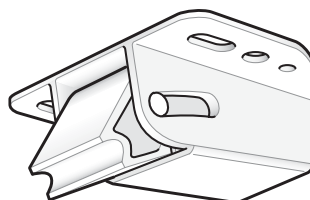


## Operation

### Closed



### Open



### Material and Finish

HOUSING, PAWL, GUIDE AND KEEPER:  
Nylon, white.  
SPRING: 300 Series stainless steel,  
passivated.

millimeter (inch)  
millimeter  
(inch)

Dimensions without tolerances are for reference only.