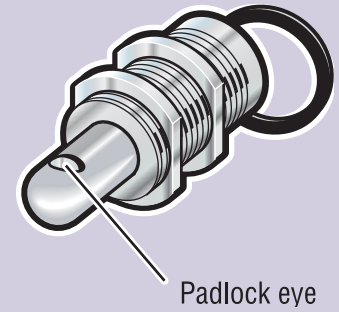


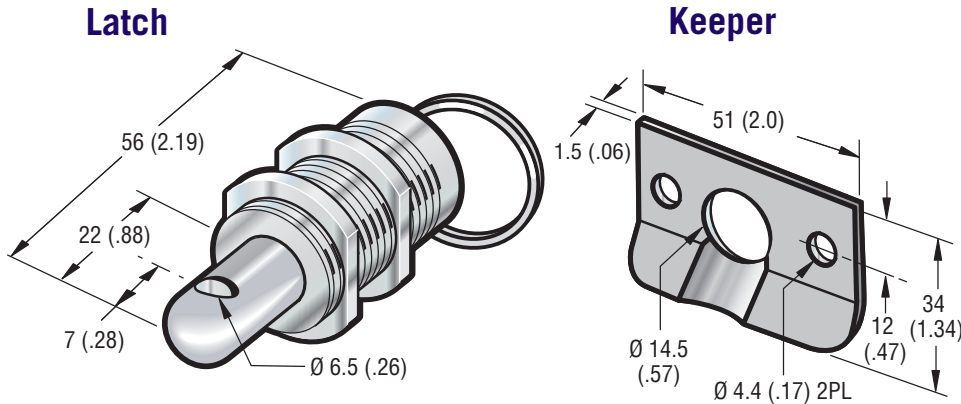
Southco® Push to Close Latch

Pin Latch

- All Stainless Steel materials for superior corrosion resistance
- Padlock eye and ring for added security
- Robust construction for demanding applications



Padlock eye



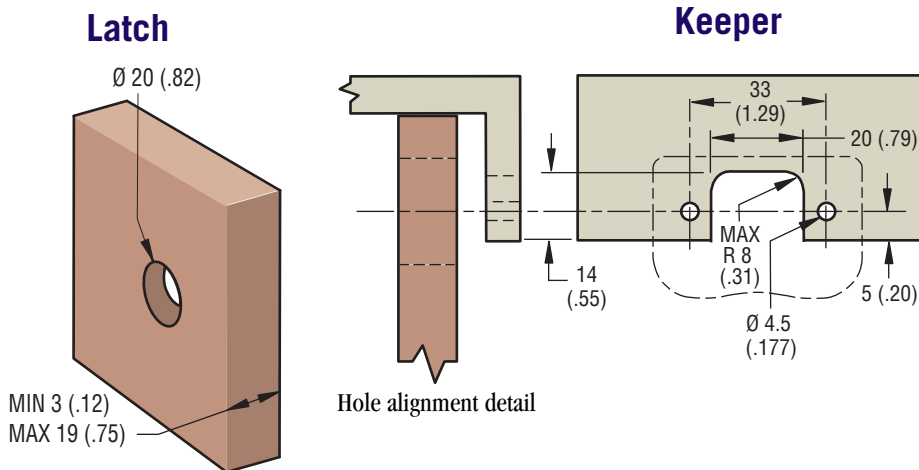
PART NUMBER

MT-04-11-24

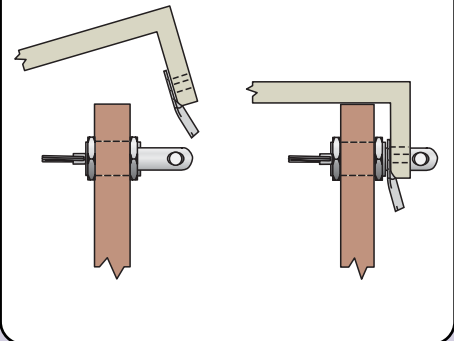
Material and Finish

LATCH and KEEPER: 300 series stainless steel, passivated.

Panel Preparation



Operation



millimeter (inch)
millimeter
(inch)

Dimensions without tolerances are for reference only.

southco®
CONNECT · CREATE · INNOVATE

www.southco.com
E-mail: info@southco.com

Management Systems
ISO 9001:2000
ISO / TS 16949

Australia
Tel: (61) 3 9335 4335
Germany
Tel: 0800 1800 380
Singapore
Tel: 800 18 11016

Austria
Tel: 0800 281 831
Hong Kong
Tel: 001 852 3127 1503
Spain
Tel: 900 968917

Canada
Tel: (1) 905 855 0309
Italy
Tel: 800 780 953
Sweden
Tel: 020 790 366

China
Tel: 800 820 0272
Korea
Tel: 0505 777 1234
Taiwan
Tel: 0 080 113 9582

France
Tel: 0800 912 756
Malaysia
Tel: 1800 801 119
United Kingdom
Tel: (44) (0) 1452 715454

Mexico
Tel: 001 877 821 0666
United States
Tel: (1) 610 459 4000

Authorized Southco Distributors located in: Australia, Austria, Canada, Czech Republic, Denmark, Finland, France, Germany, Hungary, Ireland, Israel, Italy, Japan, Korea, Malaysia, Mexico, Netherlands, New Zealand, Norway, Poland, Portugal, Singapore, Spain, Sweden, Switzerland, Taiwan, Turkey, United Kingdom and United States.

For information regarding Southco and Authorized Distributors please visit www.southco.com