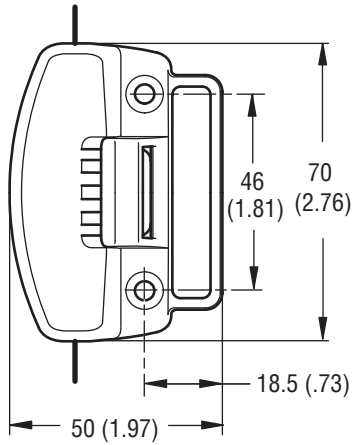


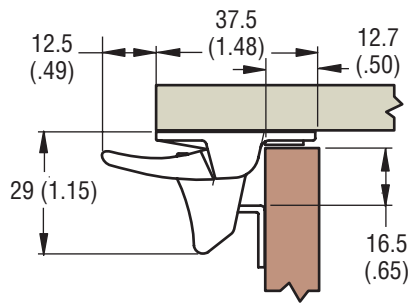
Southco® Push to Close Latch

Parrot

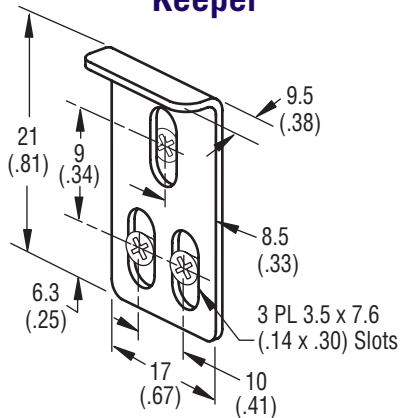
- Latch can be fully or partially concealed
- Dampening pad eliminates the hard sound of slammed doors
- Accommodates misalignment via adjustable keeper



Latch



Keeper



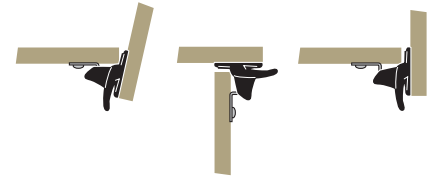
COLOR	PART NUMBER
Black	MT-02-10-5



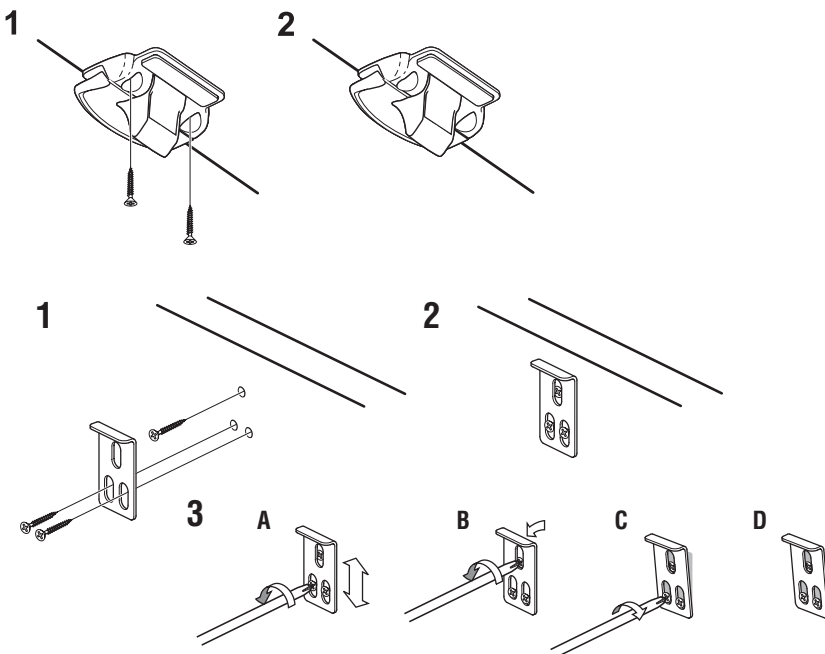
Material and Finish

BASE: Acetal, Black.
 HANDLE: Polycarbonate/ABS, black.
 BUMPER: Silicone, transparent
 SPRING and KEEPER: 300 Series stainless steel, passivated.

Applications



Installation



millimeter (inch)
 millimeter
 (inch)

Dimensions without tolerances are for reference only.