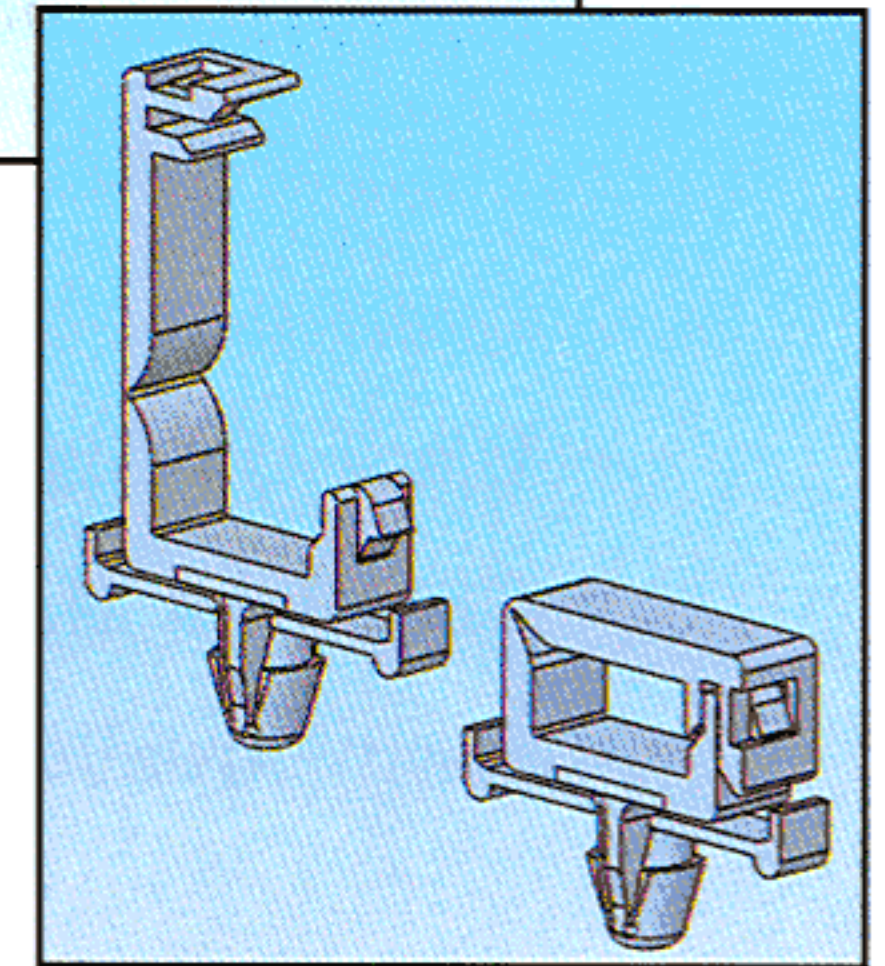
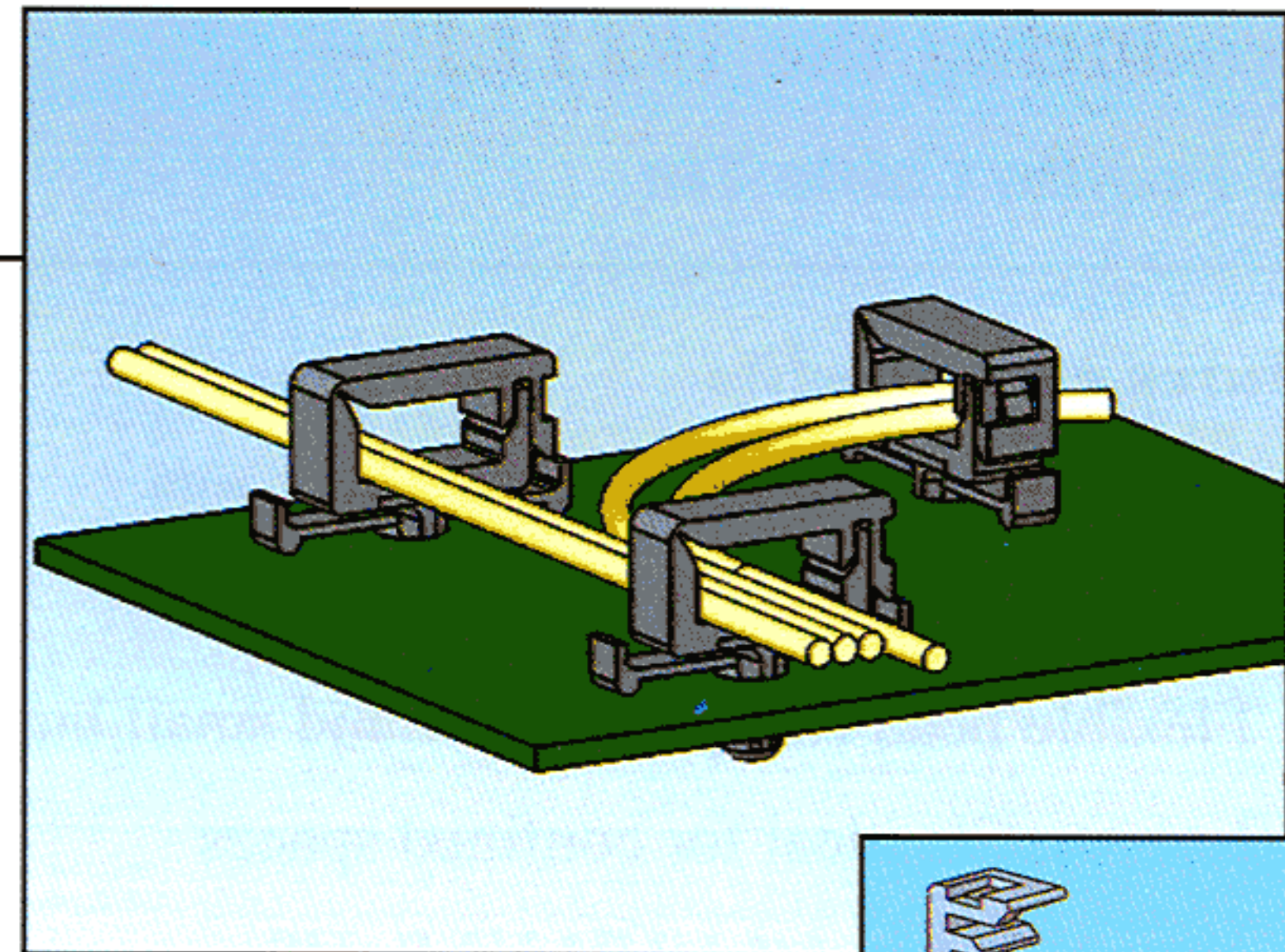


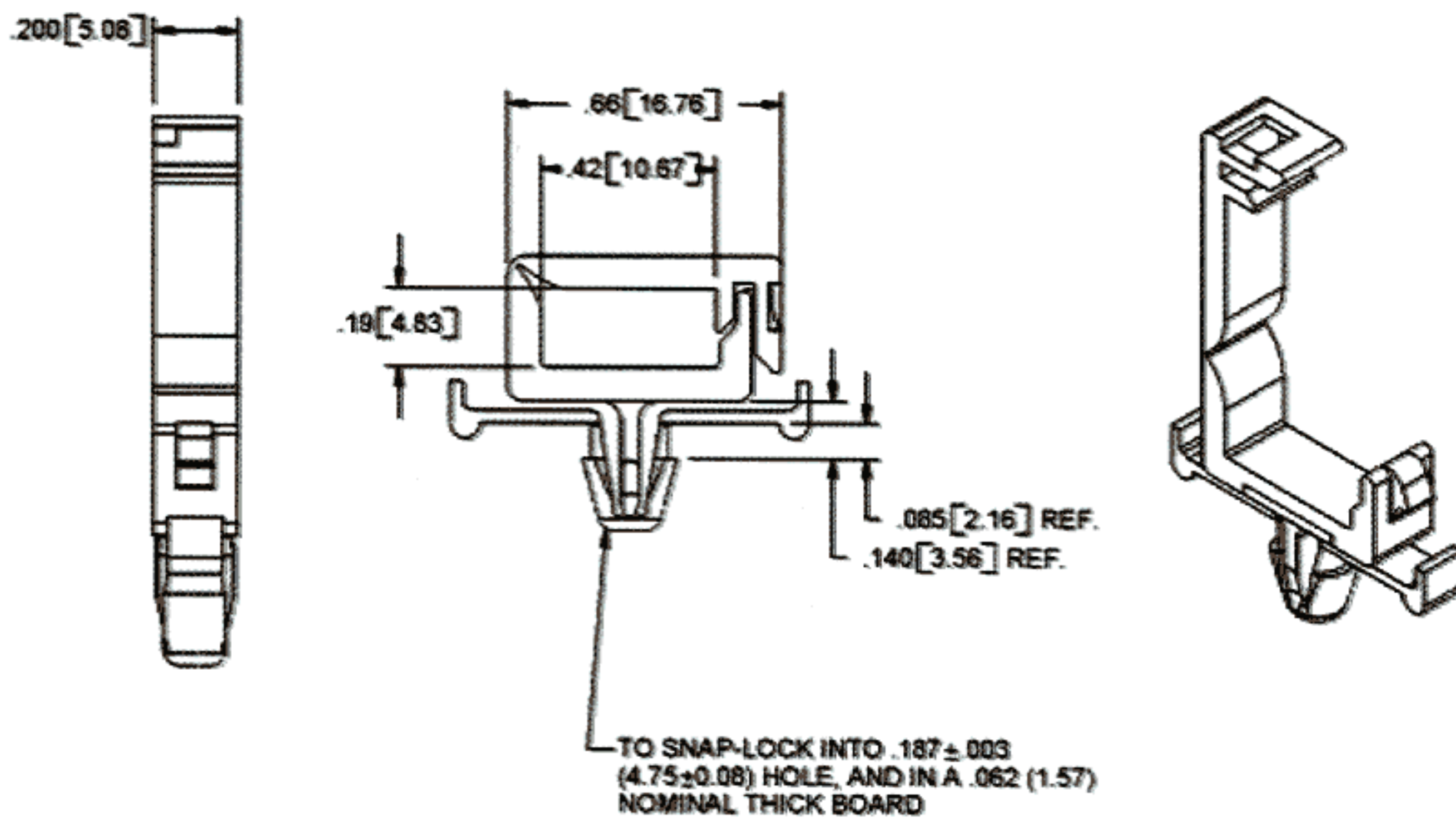
## Introducing the *WSLTRA*— Wire Saddle with Releasable Arrowhead

### Features and Benefits

- Unique arrowhead design that is easily removed from above the board
- Supports the European WEEE Initiative
- Locking top is releasable for repair, replacement or addition of cable
- Nylon 6/6 UL94 V2 RoHS Compliant Material
- Flame Retardant Nylon 6/6 UL94 V0 RoHS Compliant material by special order
- Part is easily installed and removed by hand



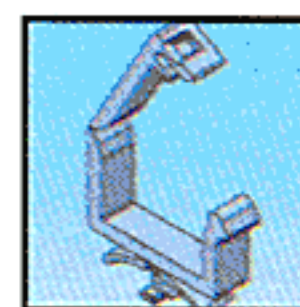
Featured  
in the NEW  
Edition 27 Catalog—  
**Available Now**



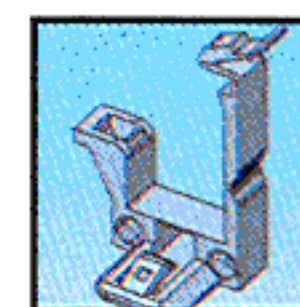
### Markets

- Automotive
- Consumer Electronics
- Office Equipment
- White Goods
- Telecommunications Equipment

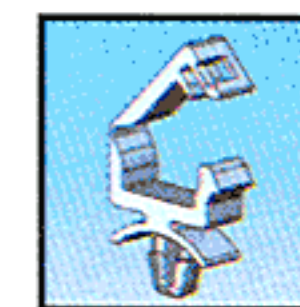
### Other Related Richco Product Solutions



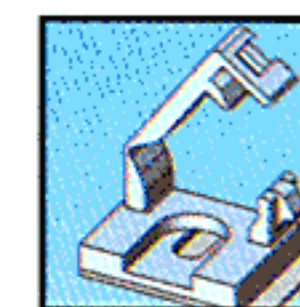
WSLT-9



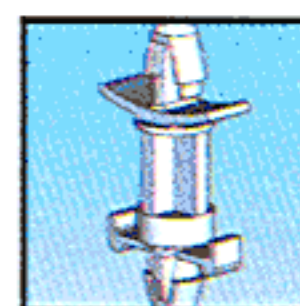
SMWSLT



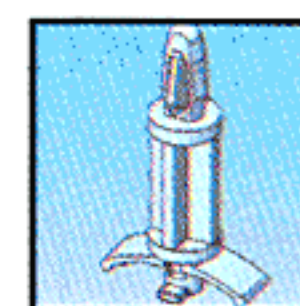
WSLT



WSLTB



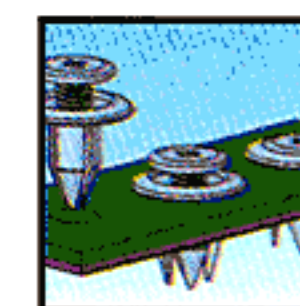
DLCBSRA



LCBS-9



WIT-XAR



USR

<b>WSLTRA-1-01</b>
Mat'l: Nylon 6/6, RMS-01*
Color: Natural
Standard Pack: 1, 000 per bag
*Flame Retardant Nylon, RMS-19 available by special order. To order, replace -01 with -19.