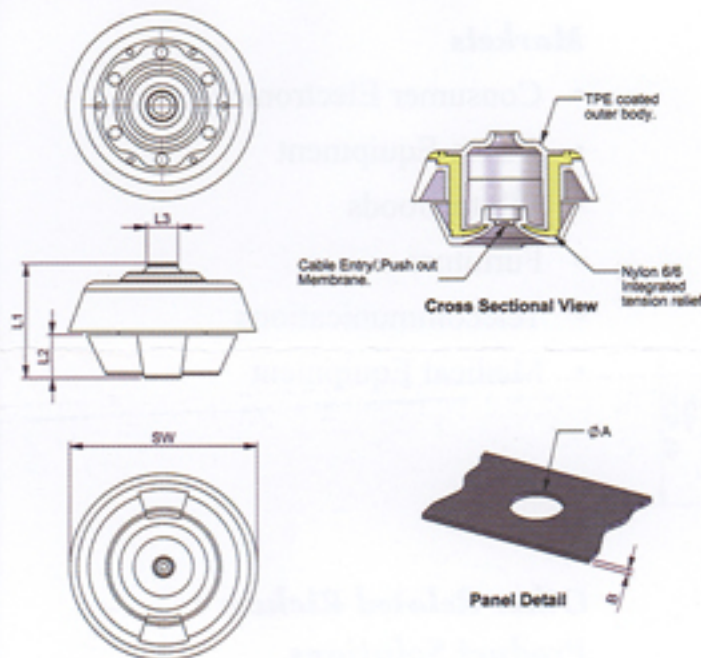
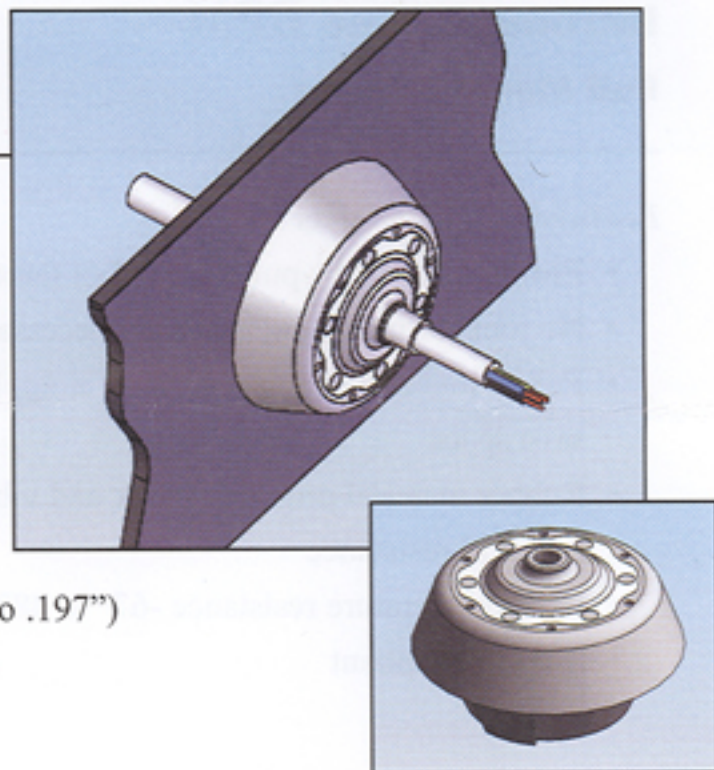


Introducing the *KCG*— Quick Cable Gland

Features and Benefits

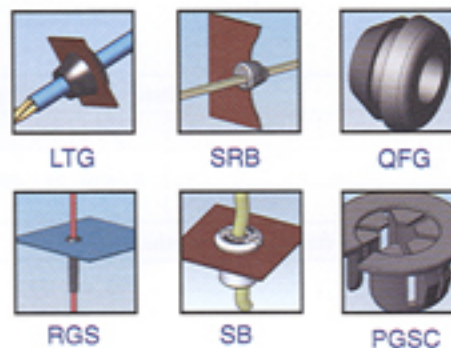
- Provides slight strain relief
- Waterproof grommet
- Easy to install by pressing into the panel manually
- 10 times quicker than conventional cable glands!
- Gland is sealed until punctured by the cables passing through
- Accommodates panel thicknesses from 1.5 - 5mm (.059 to .197")
- Two sizes accept a wide range of cable bundle diameters
- Patented design



Markets

- Electrical
- Power generation & distribution
- Industrial automation
- Offshore & marine
- Telecommunications
- Electronics

Other Related Richco Product Solutions



Material: TPE, RMS-286 & Nylon 6/6, RMS-287 Color: Gray		Standard Pack: 1,000 per bag		Dimensions in mm (inches)				
Part No.	"A" Dia. Panel	"B" Panel	"L1"	"L2"	"L3"	"SW"	Cable Bundle Dia.	Tension Relief Dia.
KCG-1	20.5 (.807)	1.5 - 5 (.059 - .196)	20 (.787)	5.7 (.224)	4 (.157)	29.3 - 34.5 (1.153 - 1.358)	4 - 11 (.157 - 4.33)	N/A
KCG-2	25.5 (1.003)				5 (.196)	34.3 - 40 (1.350 - 1.574)	4 - 14 (.157 - .551)	6 - 13 (.236 - .511)

** Varies depending on the thickness of the material the parts are installed in.

For IP67 Protection, the following dimensions are recommended		
Part No.	"B" Panel	Cable Bundle Dia.
KCG-1	2 - 5 (.078 - .196)	7-11 (.275 - .433)
KCG-2		7-13 (.275 - .511)
Dimensions in mm (inches)		