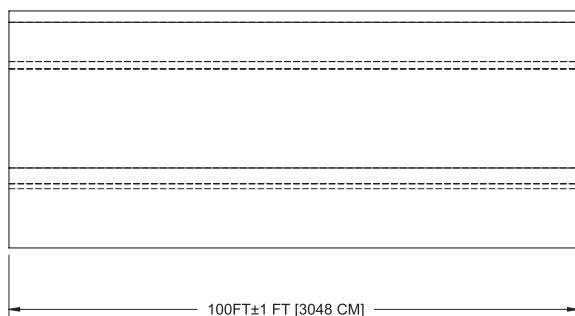
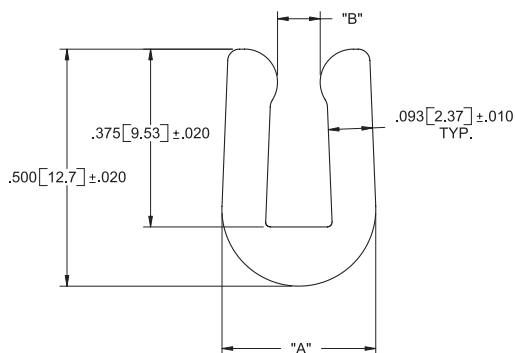
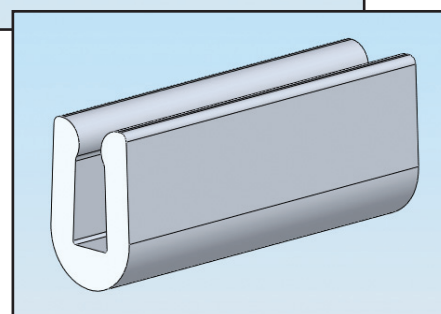
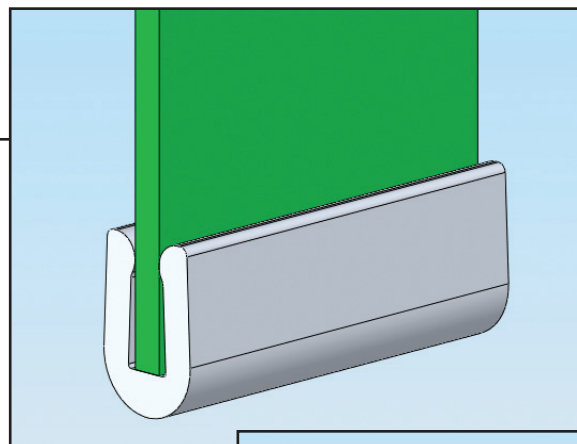


## Introducing the **RG—** Rubber Edge Grommet

### Features and Benefits

- Softens sharp edges to prevent chafing & wear
- Aids in vibration protection
- Extruded in a RoHS Compliant rubber material that meets UL HB requirements
- Available in three sizes to accommodate a range of panel thicknesses
- Extremely flexible, can be used for internal cutouts or straight edges



Material: TPE, RMS-214 • Color: Black			
Standard Pack: 100 ft. Roll			
Part No.	Panel Size	"A" Ref.	"B" Max.
RG-1	.063 (1.6)	.264 (6.74)	.030 (0.76)
RG-2	.093 (2.36)	.293 (7.44)	.060 (1.52)
RG-3	.125 (3.18)	.324 (8.23)	.090 (2.29)
Dimensions in inches (mm)			

### Markets

- Vending Machines
- White Goods
- Consumer Electronics
- Telecommunication Panels

### Other Related Richco Product Solutions

