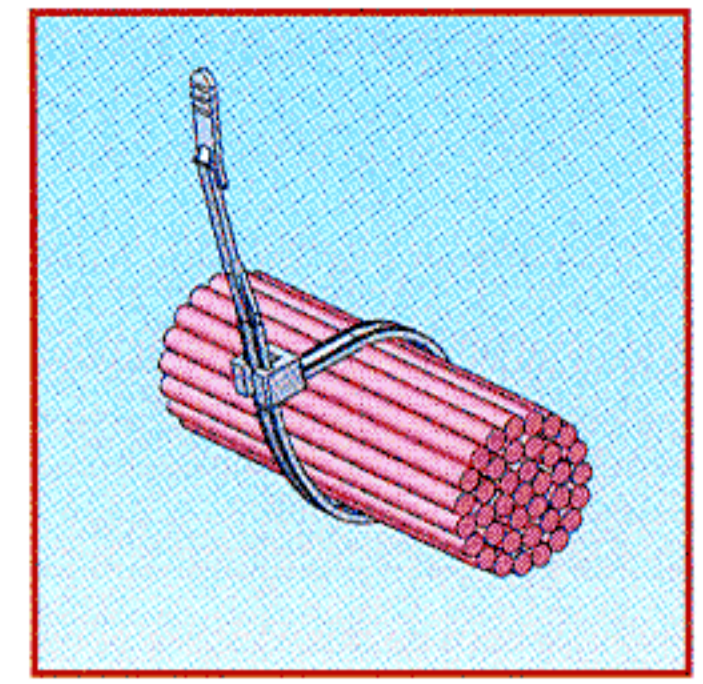
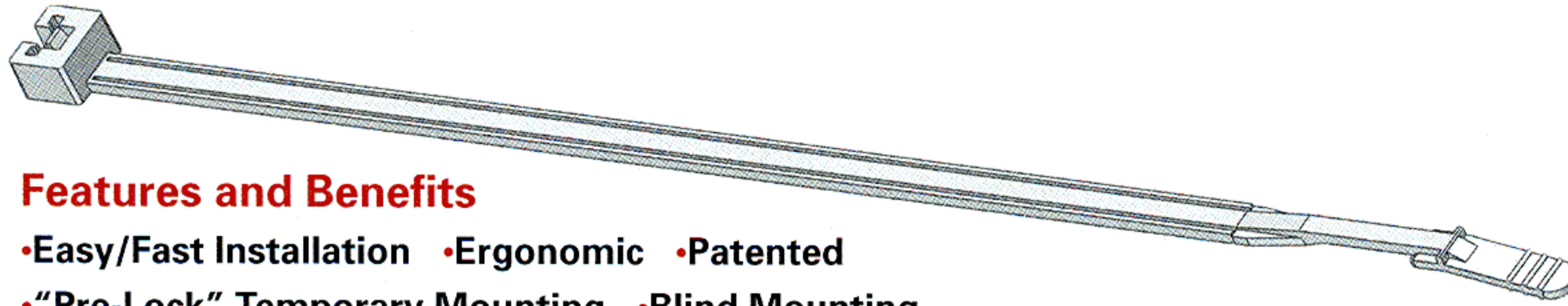
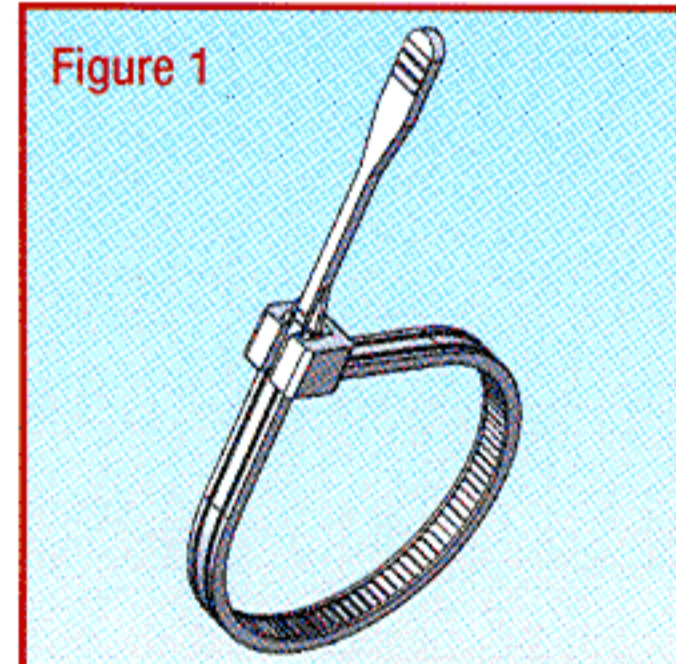
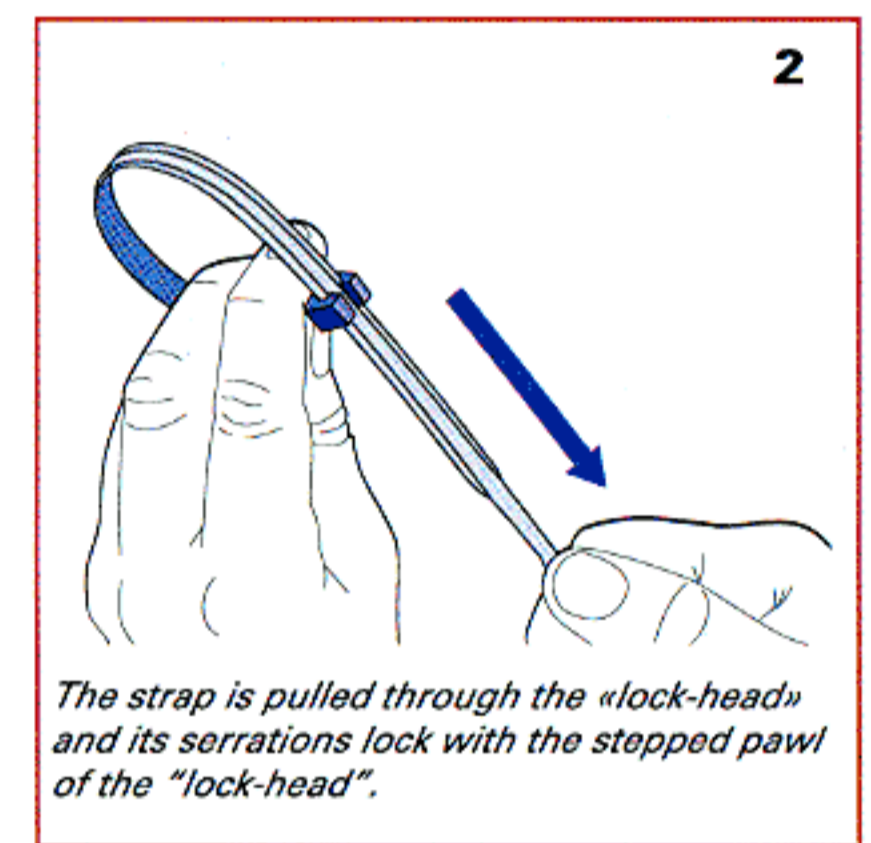
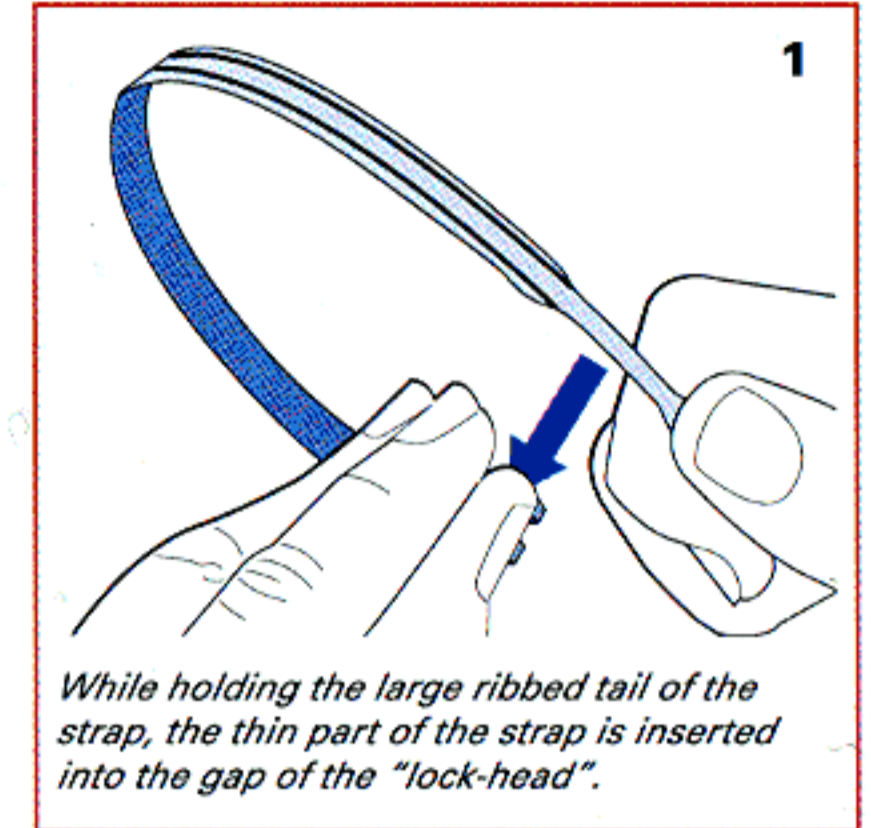
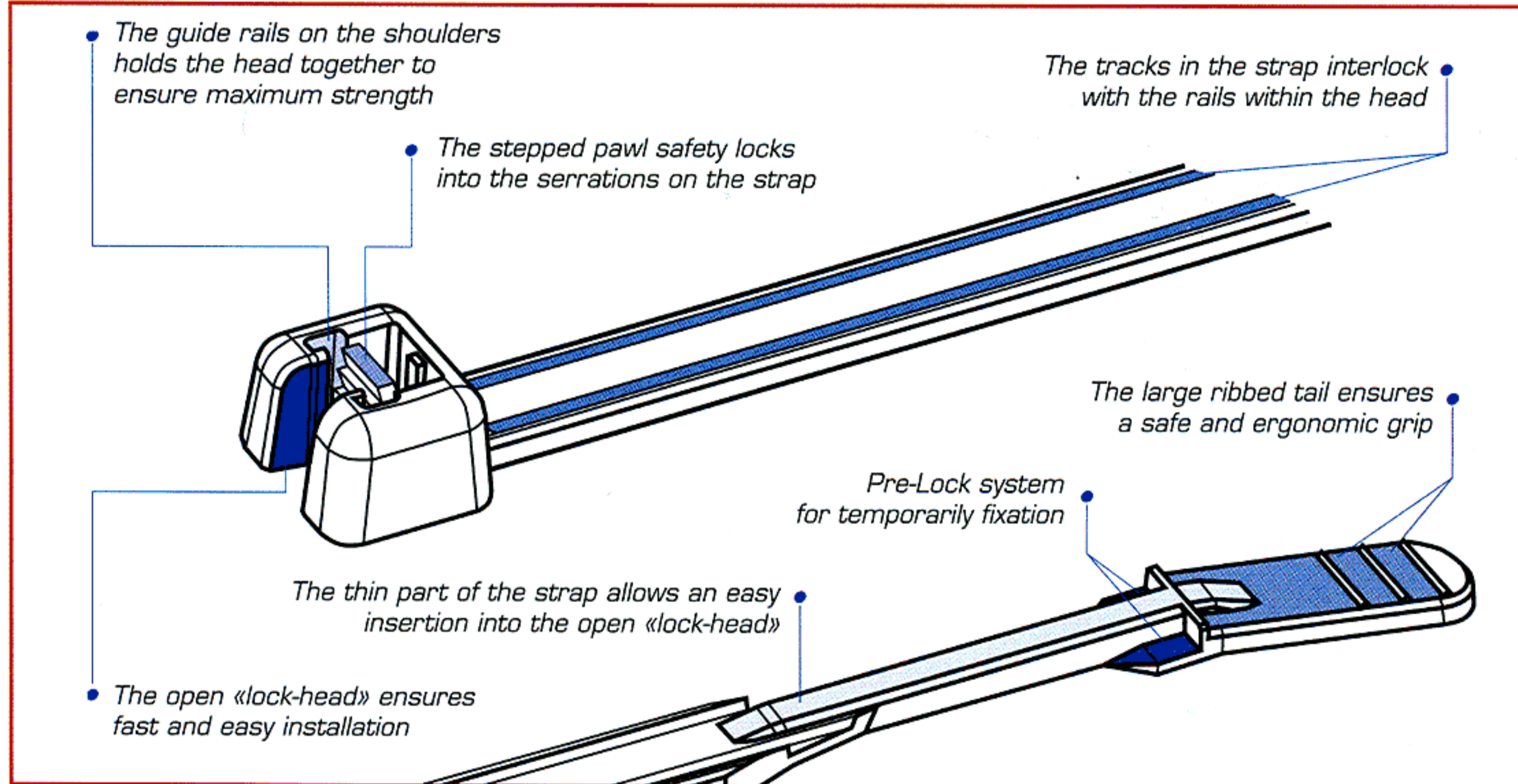


Q-tie® The Innovative Tie with the Open Lock Head

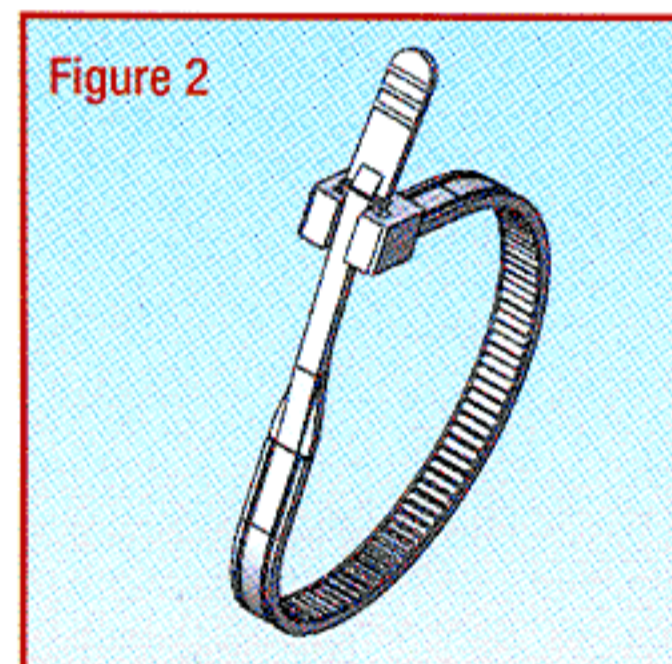


Features and Benefits

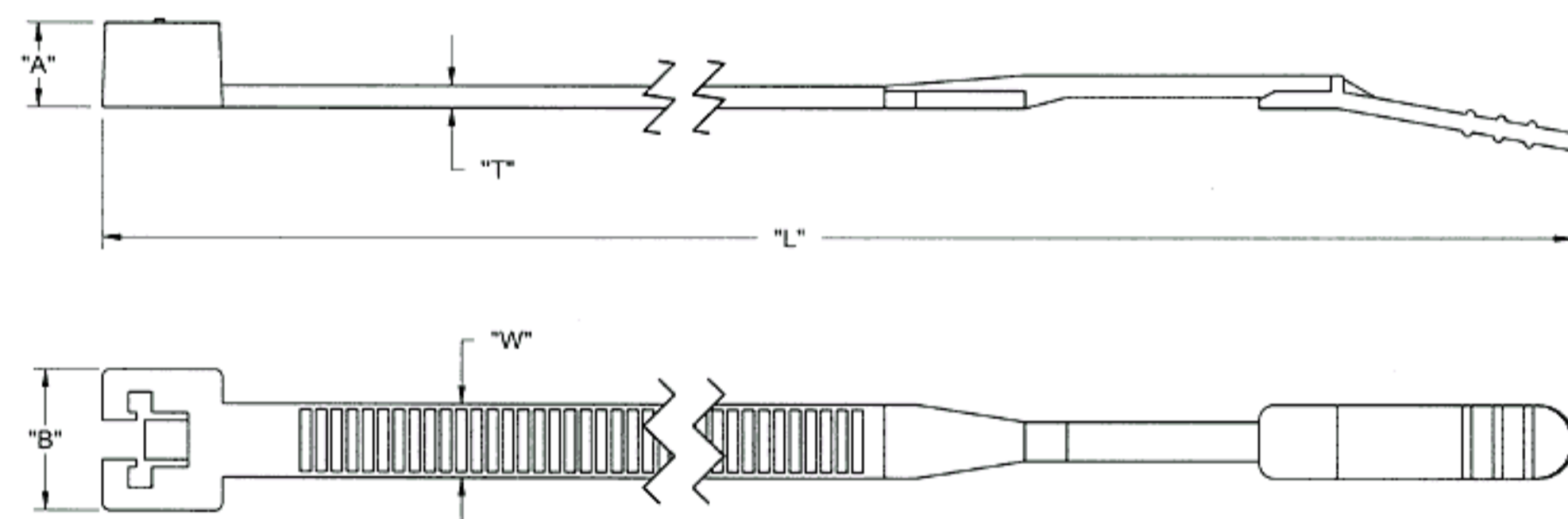
- Easy/Fast Installation
- Ergonomic
- Patented
- "Pre-Lock" Temporary Mounting
- Blind Mounting



*18 lbs. Ties do not have a Pre-lock Feature



At Pre-lock Position



QTE SERIES CABLE TIES											
Material: Nylon 6/6, RMS-01 Color: Natural Part No.	Material: UV Stabilized Nylon 6/6, RMS-221 Color: Black Part No.	Min. Loop Tensile lbs (kg)	Length "L" Approx.	Maximum Bundle Dia. Approx.	Width "W" Ref.	Thickness "T" Ref.	"A"	"B"	Figure No.	Pre-Lock System	Standard Package
QTE-18R	QTE-18R-UVB	18 (8)	4.13 (105)	.95 (24)	.10 (2.6)	.04 (1)	.146 (3.7)	.197 (5)	1	NO	1000
QTE-18L	QTE-18L-UVB		6.10 (155)	1.58 (40)	.10 (2.6)	.04 (1)	.146 (3.7)	.197 (5)			
QTE-18V	QTE-18V-UVB		7.68 (195)	1.97 (50)	.10 (2.6)	.04 (1)	.146 (3.7)	.197 (5)			
QTE-30R	QTE-30R-UVB	30 (13)	6.30 (160)	1.50 (38)	.14 (3.6)	.05 (1.3)	.181 (4.6)	.276 (7)	2	YES	1000
QTE-30L	QTE-30L-UVB		7.87 (200)	1.97 (50)	.14 (3.6)	.05 (1.3)	.181 (4.6)	.276 (7)			
QTE-30XL	QTE-30XL-UVB		9.84 (250)	2.56 (65)	.14 (3.6)	.05 (1.3)	.181 (4.6)	.276 (7)			
QTE-30VL	QTE-30VL-UVB		11.81 (300)	3.23 (82)	.14 (3.6)	.05 (1.3)	.181 (4.6)	.276 (7)			
QTE-50R	QTE-50R-UVB	50 (22)	8.27 (210)	1.97 (50)	.19 (4.7)	.06 (1.4)	.213 (5.4)	.354 (9)	2	YES	100
QTE-50RL	QTE-50RL-UVB		11.42 (290)	2.95 (75)	.19 (4.7)	.06 (1.4)	.213 (5.4)	.354 (9)			
QTE-50L	QTE-50L-UVB		16.14 (410)	4.33 (110)	.19 (4.7)	.06 (1.4)	.213 (5.4)	.354 (9)			
QTE-120SL	QTE-120SL-UVB	120 (54)	11.81 (300)	2.76 (70)	.30 (7.7)	.07 (1.8)	.299 (7.6)	.520 (13.2)	2	YES	100
QTE-120R	QTE-120R-UVB		16.54 (420)	4.33 (110)	.30 (7.7)	.07 (1.8)	.299 (7.6)	.520 (13.2)			
QTE-120L	QTE-120L-UVB		20.47 (520)	5.71 (145)	.30 (7.7)	.07 (1.8)	.299 (7.6)	.520 (13.2)			

Parts were designed in mm. Inch conversion is for reference only.

1-800-621-1892 • www.richco-inc.com