

FM

### Benefits:

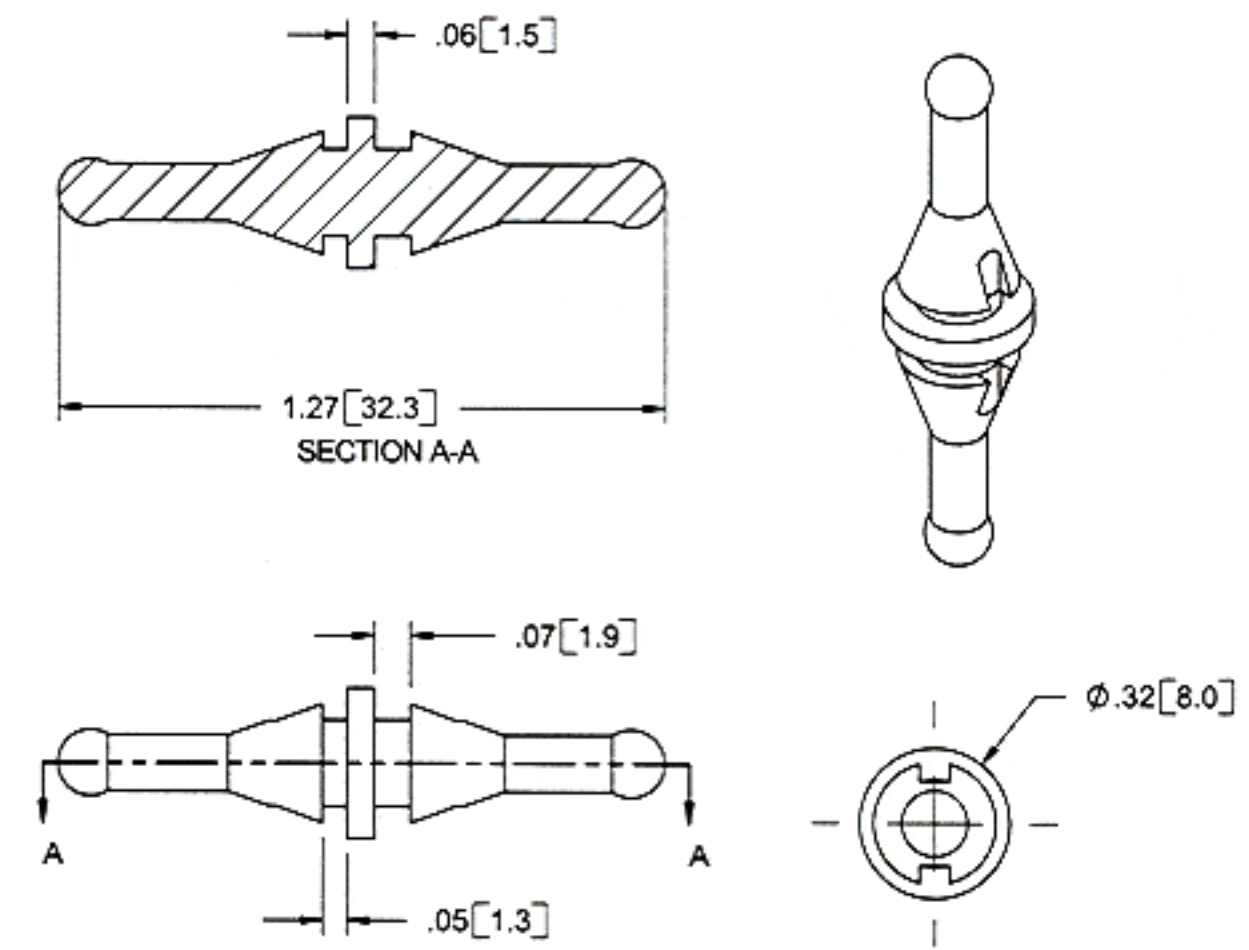
- Shock protection
- Vibration reduction
- Noise reduction

### Features:

- Soft, high elongation rubber for ease of assembly
- Low insertion force allows for installation without pliers or tools
- Easy disassembly
- EPDM rubber for good tensile strength

Richco Inc. is pleased to announce our newest accessories for fan assemblies, the FM Series Fan Mounts. Elastomeric fan mount rivets quickly and easily connect small cooling fans to fan components and mounting hardware. They also suppress unwanted noise generated by the fan itself. The high elongation rubber allows for fast and easy assembly by hand and eliminates the need for screws and nuts. Two styles are available; one with a low profile end for single direction, short protrusion on the mounting panel side. The other is for two-direction mounting of fan components to the leading fan flange. Each style is offered in two different durometers in a durable EPDM rubber.

### FM Series Fan Mounts FM-A



### FM-B

