

FCE-5-19

Features:

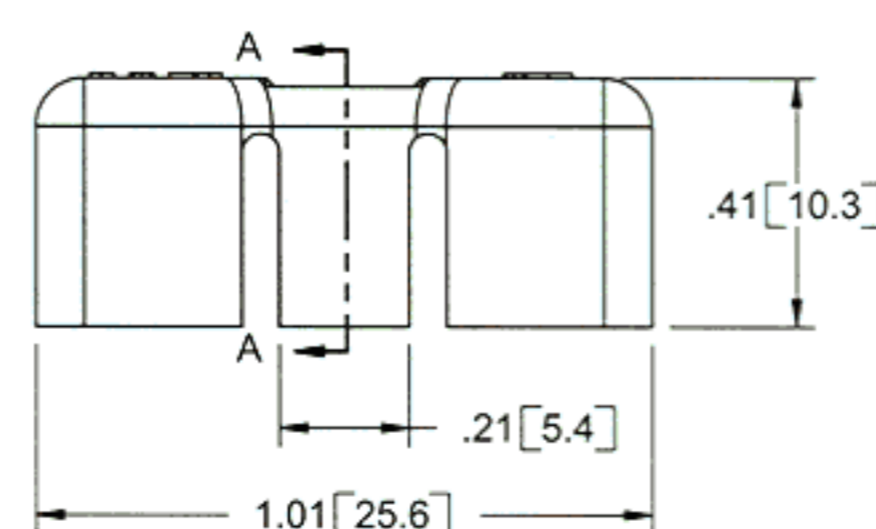
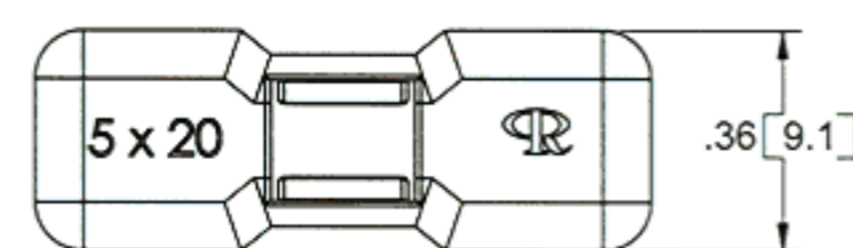
- Secures and protects 5x20mm fuse
- Molded in UL94 V0 flame retardant Nylon
- Viewing area

Benefits:

- Protects the fuse from accidental damage during maintenance on the PCB
- Quick & easy installation
- Removable
- Viewing area enables quick identification of fuse fault

Richco, Inc. is pleased to introduce the new Fuse Cover for 5x20 fuses, FCE-5-19. The FCE is suitable for use with electrical equipment containing a power supply or transformer unit using a 5x20mm fuse. Installation of the FCE is quick and simple, just push the fuse cover over the fuse and its holders on the printed circuit board. The fuse cover ensures a secure fit by locking onto the fuse and its holders. The FCE gives excellent protection of the fuse when maintenance needs to take place on surrounding components. The part has a square viewing area that enables quick identification of a blown fuse and therefore a circuit fault. The FCE is made from a durable, UL94 V0 flame retardant nylon. Please visit our website www.richco-inc.com or call 1-800-621-1892 for more information about all of our fuse products.

FUSE COVER FCE-5-19



SECTION A-A

