

Introducing the *PGM* Hole Plugs

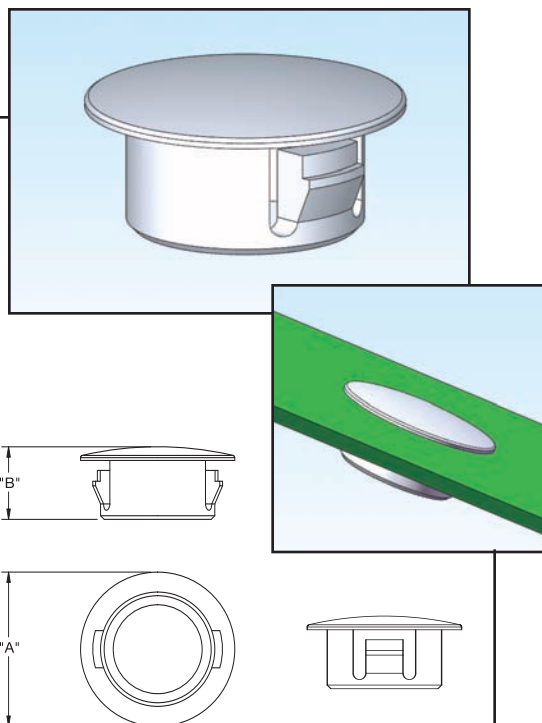
Features and Benefits

- Available in 34 different sizes to accommodate a variety of hole diameters and panel thicknesses
- Easily snapped into hole with fingertip pressure
- Securely closes off unneeded panel holes

| Material: UL94 V2 Nylon 6/6, RMS-01* Color: Black | | | | | |
|---|---------------------|----------------------|--------------|-------------|------------------|
| Part No. | Hole Diameter | Max. Panel Thickness | "A" ±.020 | "B" Ref | Standard Package |
| PGM-4 | .189 ±.004 (4.8) | .067 (1.7) | .236 (6) | .205 (5.2) | 1,000 |
| PGM-1 | .250 ±.003 (6.35) | .062 (1.57) | .312 (7.9) | .312 (7.9) | |
| PGM-6 | .252 ±.004 (6.4) | .067 (1.7) | .299 (7.6) | .221 (5.6) | |
| PGM-7 | .278 ±.002 (7.05) | .063 (1.6) | .433 (11) | .276 (7) | |
| PGM-8 | .307 ±.008 (7.8) | | .375 (9.5) | .236 (6) | |
| PGM-2 | .312 ±.003 (7.9) | .062 (1.57) | .375 (9.5) | .312 (7.9) | |
| PGM-33 | .375 ±.002 (9.5) | .125 (3.2) | .468 (11.9) | .406 (10.3) | |
| PGM-9 | .376 ±.002 (9.55) | .047 (1.2) | .511 (13) | .256 (6.5) | |
| PGM-10 | .386 ±.008 (9.8) | .055 (1.4) | | .236 (6) | |
| PGM-34 | .437 ±.002 (11.1) | .125 (3.2) | .531 (13.5) | .406 (10.3) | |
| PGM-3 | .468 ±.002 (11.9) | .062 (1.57) | | .250 (6.35) | |
| PGM-24 | .50 ±.002 (12.7) | .125 (3.2) | .578 (14.7) | .406 (10.3) | |
| PGM-5 | .500 ±.005 (12.7) | .062 (1.57) | .562 (14.3) | .250 (6.35) | |
| PGM-13 | .506 ±.002 (12.85) | .083 (2.1) | .669 (17) | .315 (8) | |
| PGM-11 | .531 ±.002 (13.48) | .062 (1.57) | .593 (15.1) | .250 (6.35) | |
| PGM-26 | .562 ±.002 (14.27) | .125 (3.2) | .656 (16.7) | .406 (10.3) | |
| PGM-27 | .625 ±.002 (15.88) | | .718 (18.2) | .250 (6.35) | |
| PGM-12 | .625 ±.002 (15.9) | .062 (1.57) | .843 (21.4) | .250 (6.35) | |
| PGM-16 | .628 ±.002 (15.95) | .079 (2) | | .787 (20) | .315 (8) |
| PGM-28 | .687 ±.002 (17.45) | .125 (3.2) | .781 (19.8) | .406 (10.3) | |
| PGM-19 | .746 ±.002 (18.95) | | .925 (23.5) | .413 (10.5) | |
| PGM-14 | .750 ±.006 (19.05) | .062 (1.57) | .843 (21.4) | .250 (6.35) | |
| PGM-15 | .781 ±.002 (19.84) | | .890 (22.6) | 1.024 (26) | .378 (9.6) |
| PGM-22 | .864 ±.002 (21.95) | .118 (3) | 1.024 (26) | | .378 (9.6) |
| PGM-17 | .875 ±.002 (22.22) | .062 (1.57) | .968 (24.6) | .250 (6.35) | |
| PGM-29 | | .125 (3.2) | 1.125 (28.6) | .453 (11.5) | |
| PGM-25 | 1.102 (28) | | .500 (12.7) | | |
| PGM-32 | 1.218 (30.9) | | .465 (11.8) | | |
| PGM-30 | 1.339 (34) | | .512 (13) | | |
| PGM-18 | 1.25 ±.002 (31.75) | .062 (1.57) | 1.375 (34.9) | .465 (11.8) | |
| PGM-20 | 1.375 ±.002 (34.93) | .125 (3.2) | 1.50 (38.1) | | |
| PGM-31 | 1.50 ±.002 (38.1) | | 1.671 (42.4) | | |
| PGM-21 | 1.750 ±.002 (44.45) | | 1.906 (48.4) | | |
| PGM-23 | 2.00 ±.002 (50.8) | | 2.170 (55.1) | .470 (11.9) | |

*Available in UL94 V0 material by special order. To order, add -V0 to the end of the part number

Parts available in White by special order. To order, add WH to the end of the part number



Markets

- Electrical
- Telecommunications
- White Goods
- Consumer Electronics
- Point of Purchase

Other Related Richco Product Solutions



BPE



BP



LTP



PGSB



Competitor Cross Reference

| Richco Part # | Heyco Part # | Micro Plastics Part # | Richco Part # | Heyco Part # | Micro Plastics Part # |
|---------------|--------------|-----------------------|-----------------|--------------|-----------------------|
| PGM-1 | 2603 | 62MP0250 | PGM-1WH | 2604 | 62MP0250W |
| PGM-2 | 2613 | 62MP0312 | PGM-2WH | 2614 | 62MP0312W |
| PGM-3 | 1669 | | PGM-3WH | 1670 | |
| PGM-5 | 1687 | 62MPS0500 | PGM-5WH | 1688 | 62MPS0500W |
| PGS-11 | 1672 | | PGS-11WH | 1673 | |
| PGM-12 | 1690 | 62MPS0625 | PGM-12WH | 1691 | 62MPS0625W |
| PGM-14 | 1693 | 62MPS0750 | PGM-14WH | 1694 | 62MPS0750W |
| PGM-15 | 1696 | | PGM-15WH | 1697 | |
| PGM-17 | 1699 | 62MPS0875 | PGM-17WH | 1700 | 62MPS0875W |
| PGM-18 | 2740 | 62MP1250 | PGM-18WH | 2741 | 62MP1250W |
| PGM-20 | 2753 | 62MP1375 | PGM-20WH | 2754 | 62MP1375W |
| PGM-21 | 2773 | 62MP1750 | PGM-21WH | 2774 | 62MP1750W |
| PGM-23 | 2783 | 62MP2000 | PGM-23WH | 2784 | 62MP2000W |
| PGM-24 | 2643 | 62MP0500 | PGM-24WH | 2644 | 62MP0500W |
| PGM-26 | 2653 | 62MP0562 | PGM-26WH | 2654 | 62MP0562W |
| PGM-27 | 2663 | 62MP0625 | PGM-27WH | 2664 | 62MP0625W |
| PGM-28 | 2673 | 62MP0687 | PGM-28WH | 2674 | 62MP0687W |
| PGM-29 | 2703 | 62MP0875 | PGM-29WH | 2704 | 62MP0875W |
| PGM-31 | 2763 | 62MP1500 | PGM-31WH | 2764 | 62MP1500W |
| PGM-32 | 2723 | 62MP1093 | PGM-32WH | 2724 | 62MP1093W |
| PGM-33 | 2617 | 62MP0375 | PGM-33WH | 2618 | 62MP0375W |
| PGM-34 | 2633 | 62MP0437 | PGM-34WH | 2634 | 62MP0437W |



For free samples, literature or technical assistance,
contact our US Headquarters at 800-621-1892

www.richco-inc.com