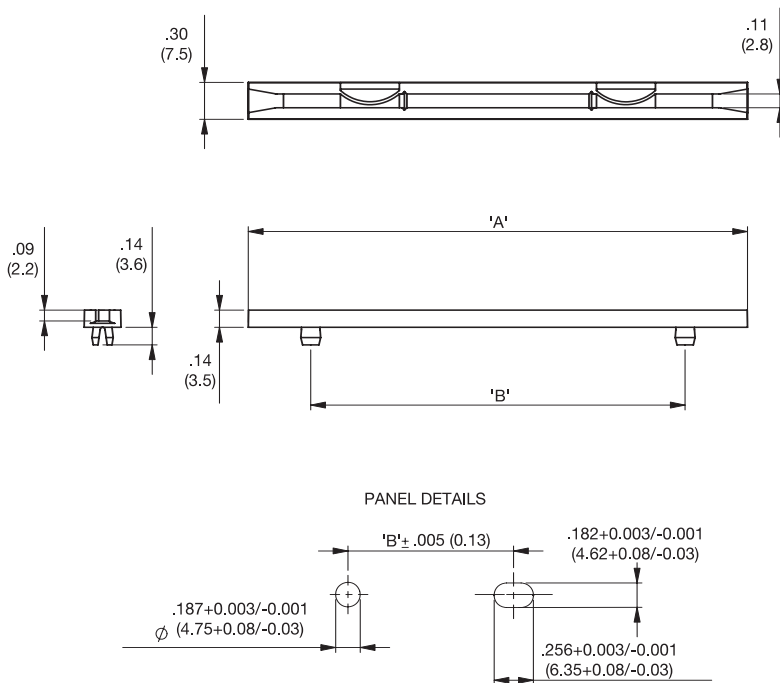
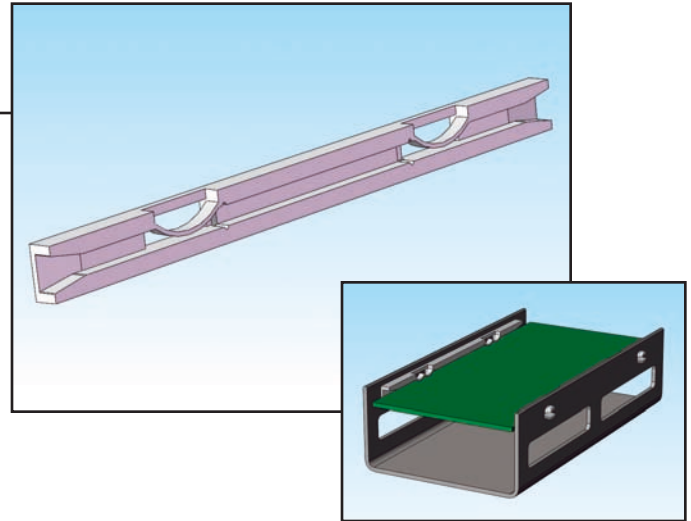


Introducing the *MPCG* Multi Panel Card Guide

Features and Benefits

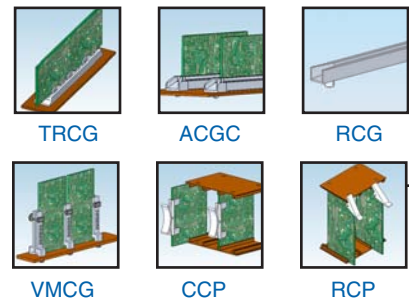
- Funnel entry for easy board insertion
- Flexible wings allow card guide to accept PCB's from .032-.079 (0.8-2)
- Wings provide good retention to hold boards firmly
- Hollow mounting pins design for easy snap-in
- Mounts into .020-.079 (0.5-2) panel thickness
- Standard material provides UL94 V0 flammability rate



Markets

- Telecommunication
- Consumer Electronics
- Computers
- Military Equipment

Other Related Richco Product Solutions



Material: UL94 V0 Nylon 6/6, RMS-19 Color: Natural			Standard Pack: 500 per bag	
Part No.	"A" ± .010 (0.25)	"B" ± .010 (0.25)	Accepts PCB Thickness	Mounting Hole Panel Thickness
MPCG-250	2.5 (63.5)	1.5 (38.1)	.032-.079 (0.8-2)	.02-.079 (0.5-2)
MPCG-300	3.0 (76.2)	2.0 (50.8)		
MPCG-400	4.0 (101.6)	3.0 (76.2)		
MPCG-550	5.5 (139.7)	4.5 (114.3)		

Available in black color by special order. To order, add BK to the end of the part number