

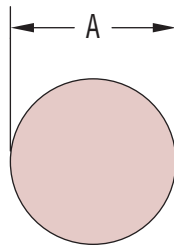


Heyco® -Tite Hybrid Liquid Tight Cordgrips PG Hubs

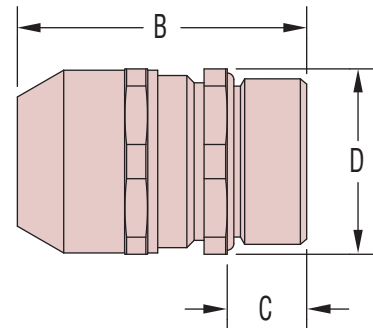
The Ultimate in Liquid Tight Strain Relief Protection

- Provide the durability of a nickel-plated brass enclosure with **drastically lower** installed cost and more secure wire gripping with nylon finger design.
- Heyco Hybrid Cordgrips make it possible to insert different diameters of cable in the same cable gland easily, flexibly and with a good seal.
- Movable articulated fingers provide large clamping and sealing areas for secure and flexible everyday use.
- When tightening the compression nut of the cordgrip, the segmented finger design compresses around the gland and wire to provide a torsion proof seal.
- Nickel-plated brass construction for superior protection of flexible cables.
- Nickel-plated finish over brass provides excellent corrosion resistance and durability.
- IP 68 rated.
- For use in clearance or threaded holes.
- Multiple sizes for flexible cord diameters ranging from .04" (1,0 mm) to 1.89" (48,0 mm).
- We recommend using the smallest cordgrip that accommodates your cable size.
- Sealing gland is molded in Thermoplastic Polymer Elastomer (TPE) material.
- Locknuts not included. For metal locknut specifications or to order locknuts separately, see page 3-26.

CABLE DIA. RANGE				PART NO.	THREAD SIZE	PART DIMENSIONS							
Minimum		Maximum				A Clearance Hole Dia.		B Max. O.A. Length		C Thread Length		D Wrenching Flat Size	
in.	mm.	in.	mm.			in.	mm.	in.	mm.	in.	mm.	in.	mm.
.04	1,0	.20	5,0	4450	PG 7	.50	12,7	.87	22,0	.20	5,0	.59	15,0
.12	3,0	.28	7,0	4451									
.08	2,0	.24	6,0	4452	PG 9	.61	15,5	1.02	26,0	.24	6,0	.71	18,0
.18	4,5	.39	10,0	4453									
.14	3,5	.31	8,0	4454	PG 11	.75	19,0	1.22	31,0	.24	6,0	.87	22,0
.28	7,0	.51	13,0	4455									
.14	3,5	.31	8,0	4456	PG 13.5	.83	21,1	1.24	31,5	.26	6,5	.87	22,0
.28	7,0	.51	13,0	4457									
.14	3,5	.31	8,0	4458	PG 16	.91	23,1	1.24	31,5	.26	6,5	.94	24,0
.28	7,0	.51	13,0	4459									
.20	5,0	.43	11,0	4460	PG 16	.91	23,1	1.48	37,5	.26	6,5	1.10	28,0
.39	10,0	.67	17,0	4461									
.28	7,0	.59	15,0	4462	PG 21	1.14	29,0	1.57	40,0	.28	7,0	1.42	36,0
.51	13,0	.83	21,0	4463									
.59	15,0	.91	23,0	4464	PG 29	1.48	37,6	1.89	48,0	.31	8,0	1.81	46,0
.75	19,0	1.10	28,0	4465									
.79	20,0	1.14	29,0	4466	PG 36	1.86	47,2	1.93	49,0	.35	9,0	2.17	55,0
.98	25,0	1.38	35,0	4467									
.79	20,0	1.14	29,0	4468	PG 42	2.14	54,3	1.97	50,0	.39	10,0	2.17	55,0
.98	25,0	1.38	35,0	4469									
1.10	28,0	1.54	39,0	4470	PG 48	2.34	59,5	2.09	53,0	.39	10,0	2.76	70,0
1.38	35,0	1.89	48,0	4471									



CLEARANCE HOLE



*Quick
Specs*

Material	Nickel-plated Brass w/polyamide PA 6 finger insert, TPE sealing gland and Buna-N O-ring
Certifications	UL pending
Temperature Rating	-40°F (-40°C) to 212°F (100°C)
IP Rating	IP 68