



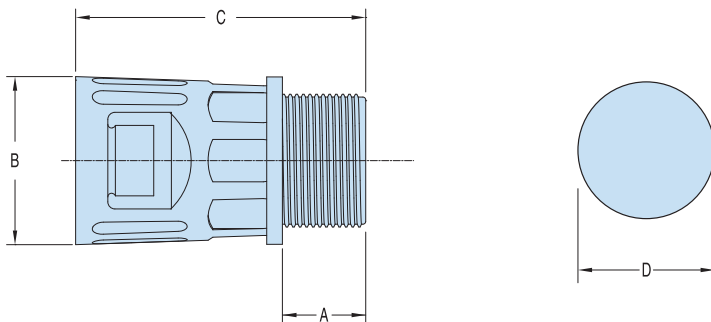
Flexicon Nylon Conduit Fittings Flexilok, Metric Hubs

For Flexible, Corrugated Nylon Conduit/Tubing



FITS CONDUIT NOMINAL SIZE	PART NO.		DESCRIPTION	THREAD SIZE	PART DIMENSIONS							
	Black	Gray			A		B		C		D	
					Thread Length	Max Diameter	Max O.A. Length	Clearance Hole	in	mm	in	mm
13	F8802	F8803	M16 13mm FLKN13-M16	M16 x 1,5	.45	11,5	.80	20,4	1.65	42,0	.63	16,0
16	F8804	F8805	M16 16mm FLKN16-M16	M16 x 1,5	.45	11,5	.90	22,9	1.72	43,6	.79	20,1
13	F8806	F8807	M20 13mm FLKN13-M20	M20 x 1,5	.55	14,0	.80	20,4	1.75	44,5	.63	16,0
16	F8808	F8809	M20 16mm FLKN16-M20	M20 x 1,5	.55	14,0	.90	22,9	1.81	46,0	.79	20,1
20	F8810	F8811	M20 20mm FLKN20-M20	M20 x 1,5	.55	14,0	1.09	27,6	1.92	48,7	.79	20,1
21	F8812	F8813	M20 21mm FLKN21-M20	M20 x 1,5	.55	14,0	1.12	28,5	1.92	48,7	.79	20,1
25	F8814	F8815	M25 25mm FLKN25-M25	M25 x 1,5	.59	15,0	1.28	32,6	2.06	52,3	.99	25,2
28	F8816	F8817	M25 28mm FLKN28-M25	M25 x 1,5	.59	15,0	1.43	36,3	2.12	53,8	.99	25,2
34	F8818	F8819	M32 34mm FLKN34-M32	M32 x 1,5	.63	16,0	1.69	43,0	2.26	57,5	1.26	32,0

- For use with Flexicon corrugated conduit/tubing. See pages 1-15 and 1-16.
- One piece fast fit allows for quick installation.
- Slim-line design is a space saver.
- Suitable for use with both coarse and/or fine pitch conduit/tubing.
- All nylon construction resists salt water, weak acids, gasoline, alcohol, oil, grease, and common solvents. This feature is not assessed by UL certification or testing.
- UV Resistant.
- No threading of the conduit/tubing is required to install.
- IP 66 rating—protection against dust and water penetration.
- Low fire hazard. Halogen, sulfur, and phosphorous free.



Material	Nylon PA66
Certifications	CE Approved as per EN61386
Temperature Rating	-58°F (-50°C) to 275°F (135°C)
IP Rating	IP 66

Quick
Specs