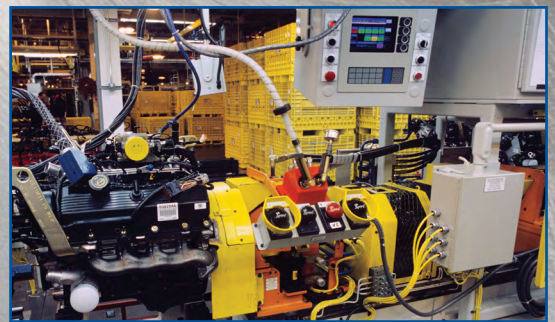
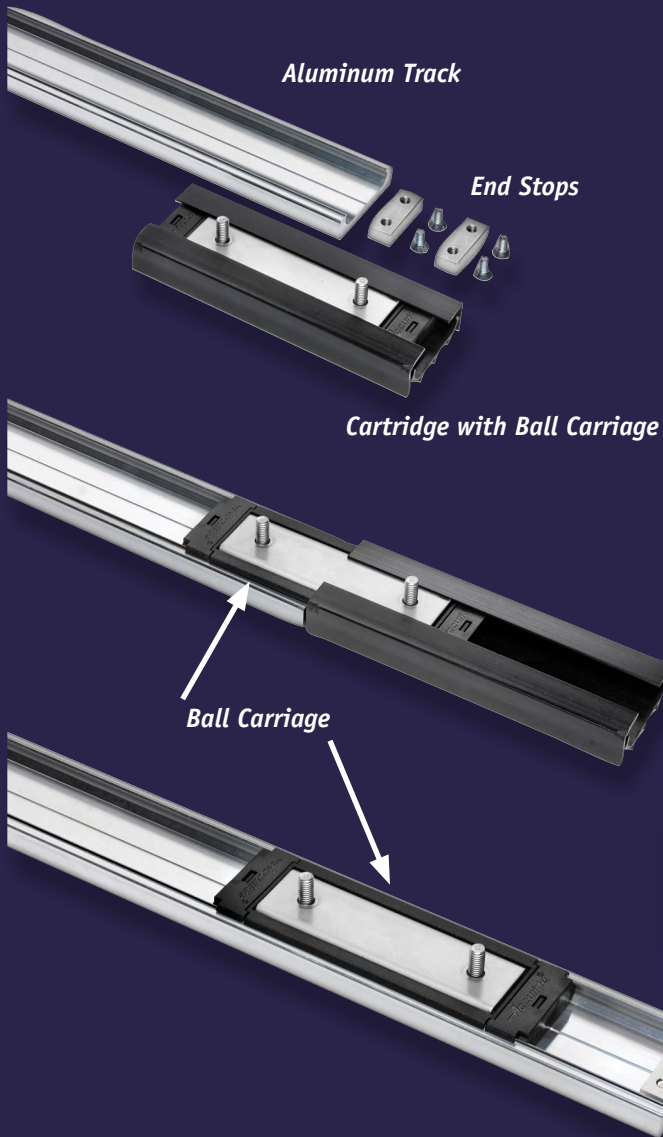


115RC

Linear Motion Track System

- Simple and cost-effective motion solution
- Cut-to-length track and re-circulating ball carriages
- Up to 265-pound load capacity



115RC

Linear Motion Track System

Model 115RC Linear Motion Track System is a simple motion solution that may be customized to suit a variety of applications. Comprised of aluminum tracks and re-circulating ball carriages, this system is a cost-effective option for projects that require a defined length of travel.

The versatility of this product opens up a wide variety of potential applications including use for movement and positioning of screens, panels, boards, or components used in medical apparatus.

Features & Benefits

- **Aluminum track available in two lengths: 47" and 94"**
 - Corrosion-resistant track may be cut to the desired length.
 - Multiple lengths of track are butted together to extend the track to any distance required.
- **Multiple mounting methods:** The track may be side, flat, or vertically mounted.
 - When flat mounted, track may be oriented with the ball carriage facing up or down.
 - Vertical mounting is for non-load bearing applications.
- **Two re-circulating ball carriage options**
 - Stainless steel ball bearings: provides the greatest load capacity.
 - Polymer ball bearings: grease-free with smooth and quiet movement.
- **Multiple carriages may be inserted into tracks**
 - Carriages may be used separately to provide independent movement, combined as a unit, or both methods within one track.
- **Easy Installation:** Tracks have drilling marks for fixing holes and end stops.
 - End stops are attached after the carriages are inserted to contain carriages.
- **Load Capacity up to 265 lbs.**
 - Load capacity is based on the type and number of carriages. Due to the extensive variety of applications and possible orientations for this product, please test this product in the intended application. This product is not recommended for high-torque applications.

Availability

Tracks and carriages are priced and sold singly.

AL0115-0120RC	47" Aluminum track (x1)
AL0115-0240RC	94" Aluminum track (x1)
SS0115-CASSRC	Carriage – Stainless Steel Balls (x1)
CB0115-CASSRC	Carriage – Polymer Balls (x1)
AL0115-STOPRC	Aluminum End Stop (1 stop + 2 screws)

Optional Accessory

DZ0115-DJIGRC	Drilling Jig (made to order)
----------------------	------------------------------

Authorized Distributor



Side mount

SS0115-CASSRC	CB0115-CASSRC
Stainless Steel	Polymer
Ball Carriage	Ball Carriage
x1 110 lbs.	x1 65 lbs.
x2 200 lbs.	x2 120 lbs.
x3 265 lbs.	x3 160 lbs.



Flat mount
(carriage up)

SS0115-CASSRC	CB0115-CASSRC
Stainless Steel	Polymer
Ball Carriage	Ball Carriage
x1 65 lbs.	x1 40 lbs.
x2 120 lbs.	x2 70 lbs.
x3 155 lbs.	x3 90 lbs.



Flat mount
(carriage down)

SS0115-CASSRC	CB0115-CASSRC
Stainless Steel	Polymer
Ball Carriage	Ball Carriage
x1 90 lbs.	x1 50 lbs.
x2 155 lbs.	x2 90 lbs.
x3 200 lbs.	x3 120 lbs.

Note: Weight should be evenly distributed across the carriage(s).

Accuride

12311 Shoemaker Avenue
Santa Fe Springs, CA 90670
(562) 903-0200
(562) 903-0208 Fax
www.accuride.com

